



Illustrated Parts List

Model Series

21A400

TYPE NUMBERS
0017 through 0701.

TABLE OF CONTENTS

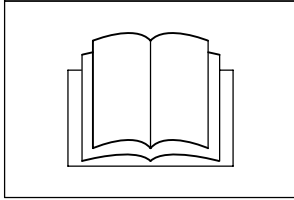
Alternator	8
Blower Housing/Shrouds	6
Camshaft	2
Carburetor	4
Controls	7
Crankcase Cover	2
Crankshaft	2
Cylinder	2
Cylinder Head	3
Electric Starter	8
Exhaust System	5
Flywheel	6
Fuel Supply	8
Gasket Set - Engine	3
Gasket Set - Valve	3
Governor Spring	7
Ignition	8
Kit - Carburetor Overhaul	4
Lubrication	2
Operator's Manual	2
Piston/Rings/Connecting Rod	2
Rewind Starter	6
Valves	3
Warning Label	2



PRINTED IN U.S.A.

COPYRIGHT by BRIGGS & STRATTON CORPORATION
All rights reserved. No part of this material may be reproduced or transmitted,
in any form or by any means, electronic or mechanical, including photocopying,
recording or by any information storage and retrieval system, without permission
in writing from Briggs & Stratton Corporation.

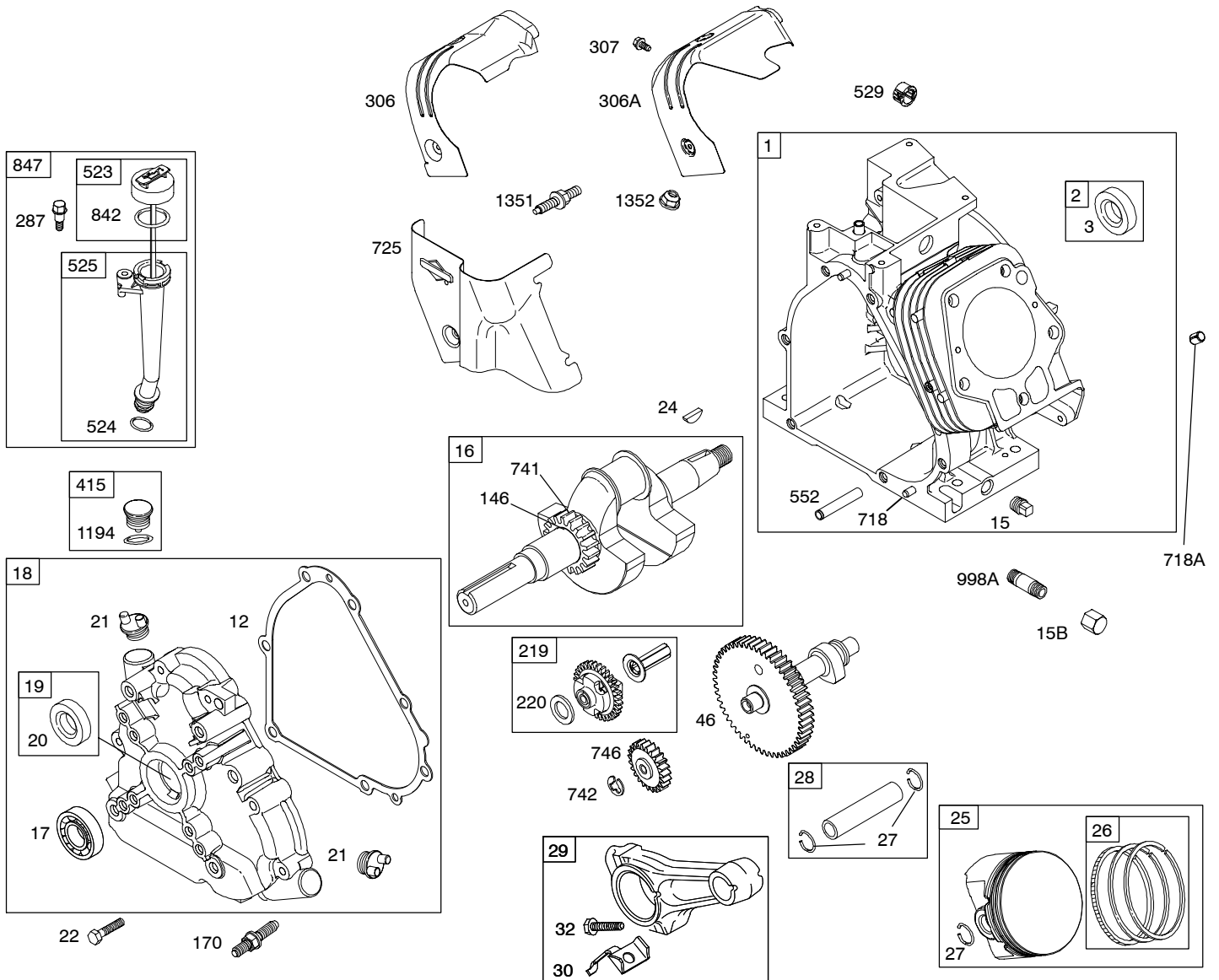
1058 OPERATOR'S MANUAL



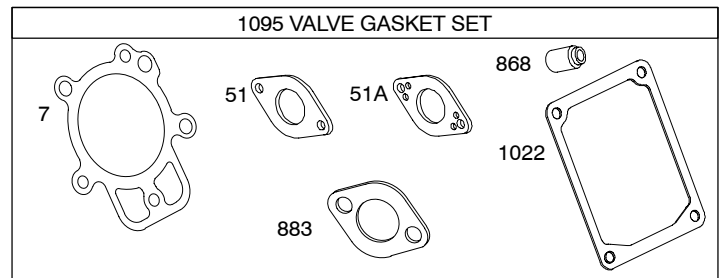
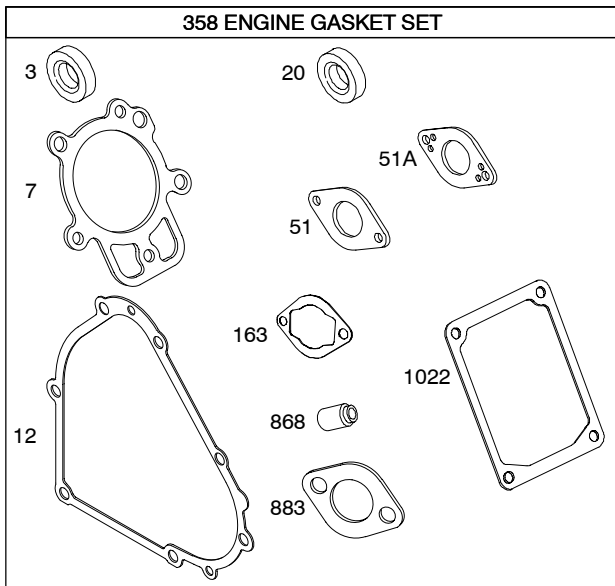
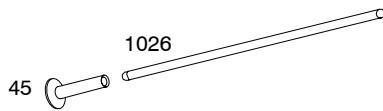
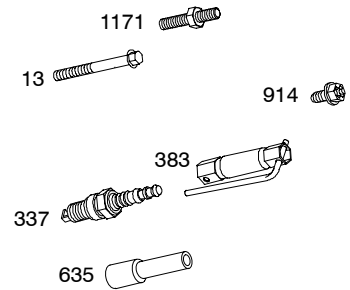
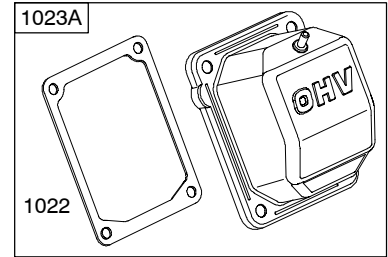
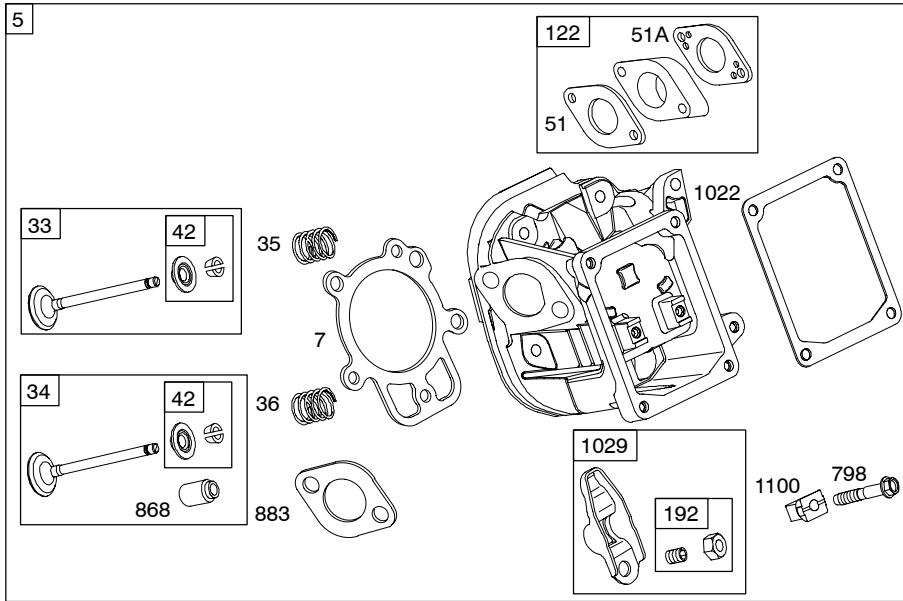
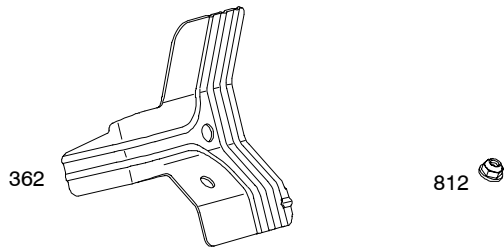
1319 WARNING LABEL

WARNING	
	Read and follow Operating Instructions before running engine.
	Gasoline is flammable. Allow engine to cool at least 2 minutes before refueling.
	Engines emit carbon monoxide, DO NOT run in enclosed area.
	Muffler area temperature may exceed 150°F. Do not touch hot parts.

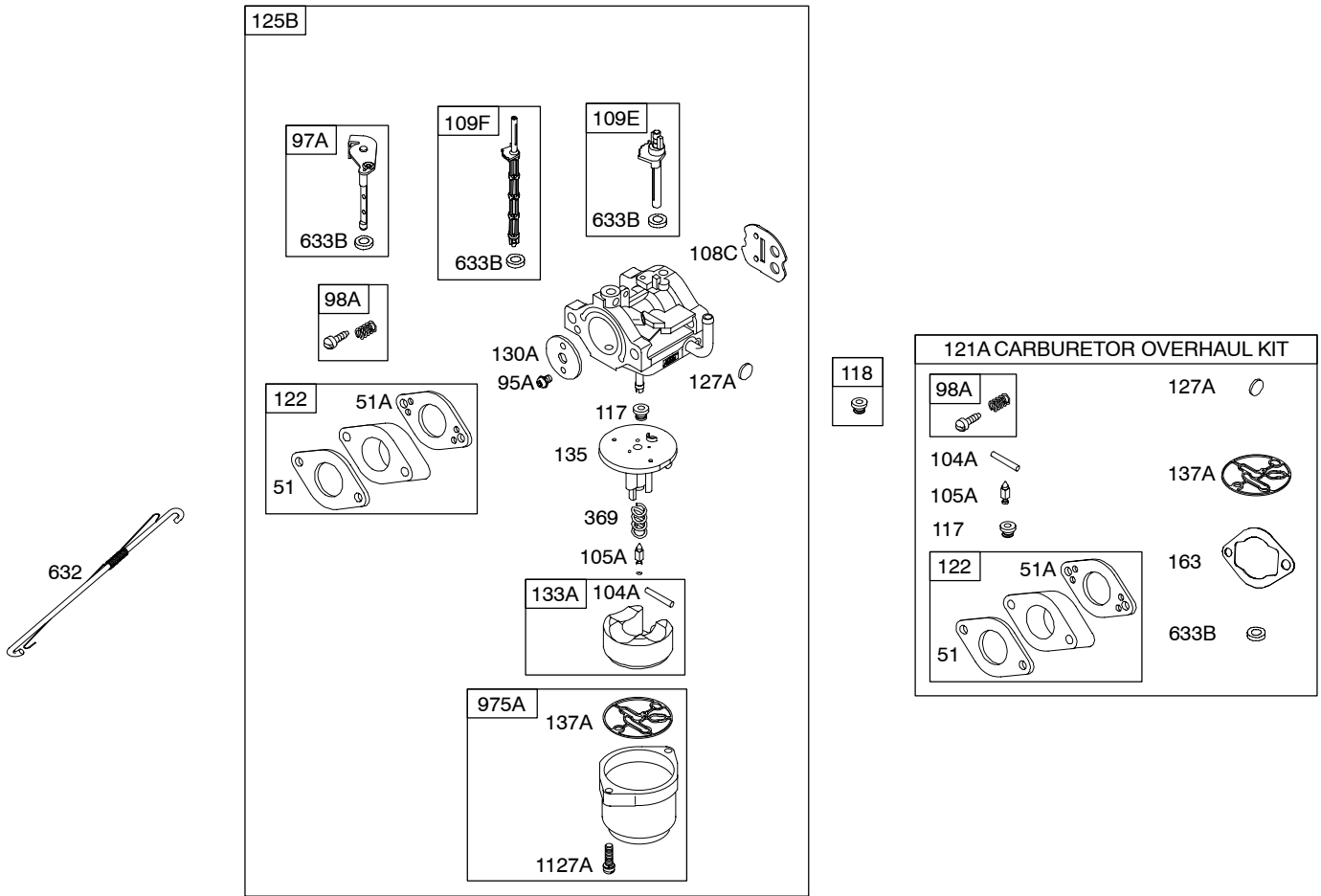
REQUIRED when replacing parts with warning labels affixed.



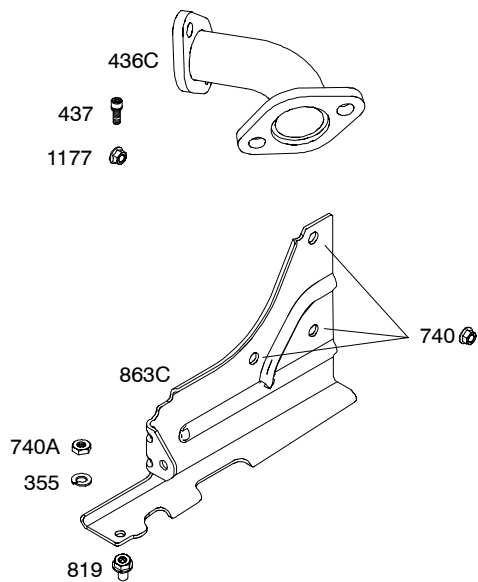
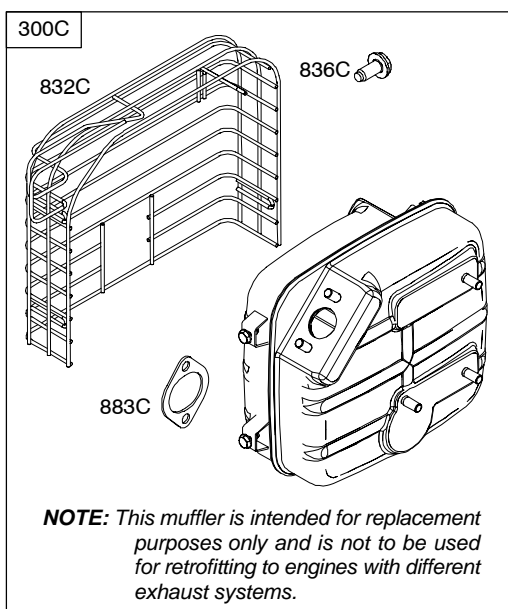
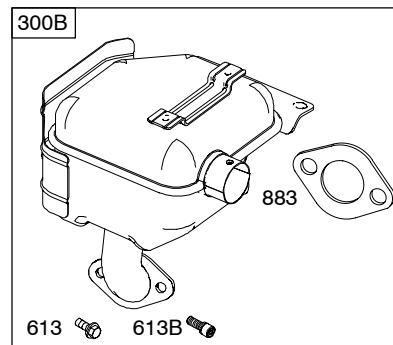
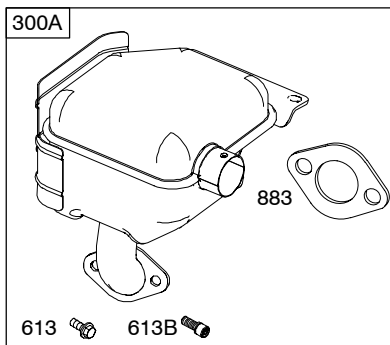
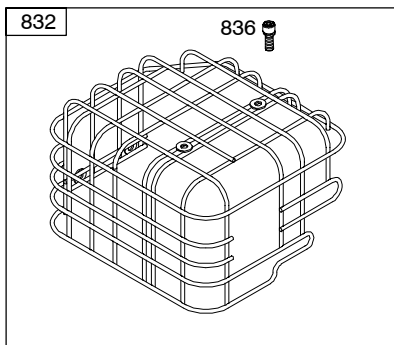
Illustrations cover a range of engines. Parts shown without corresponding text may not be used on your specific engine.



Illustrations cover a range of engines. Parts shown without corresponding text may not be used on your specific engine.

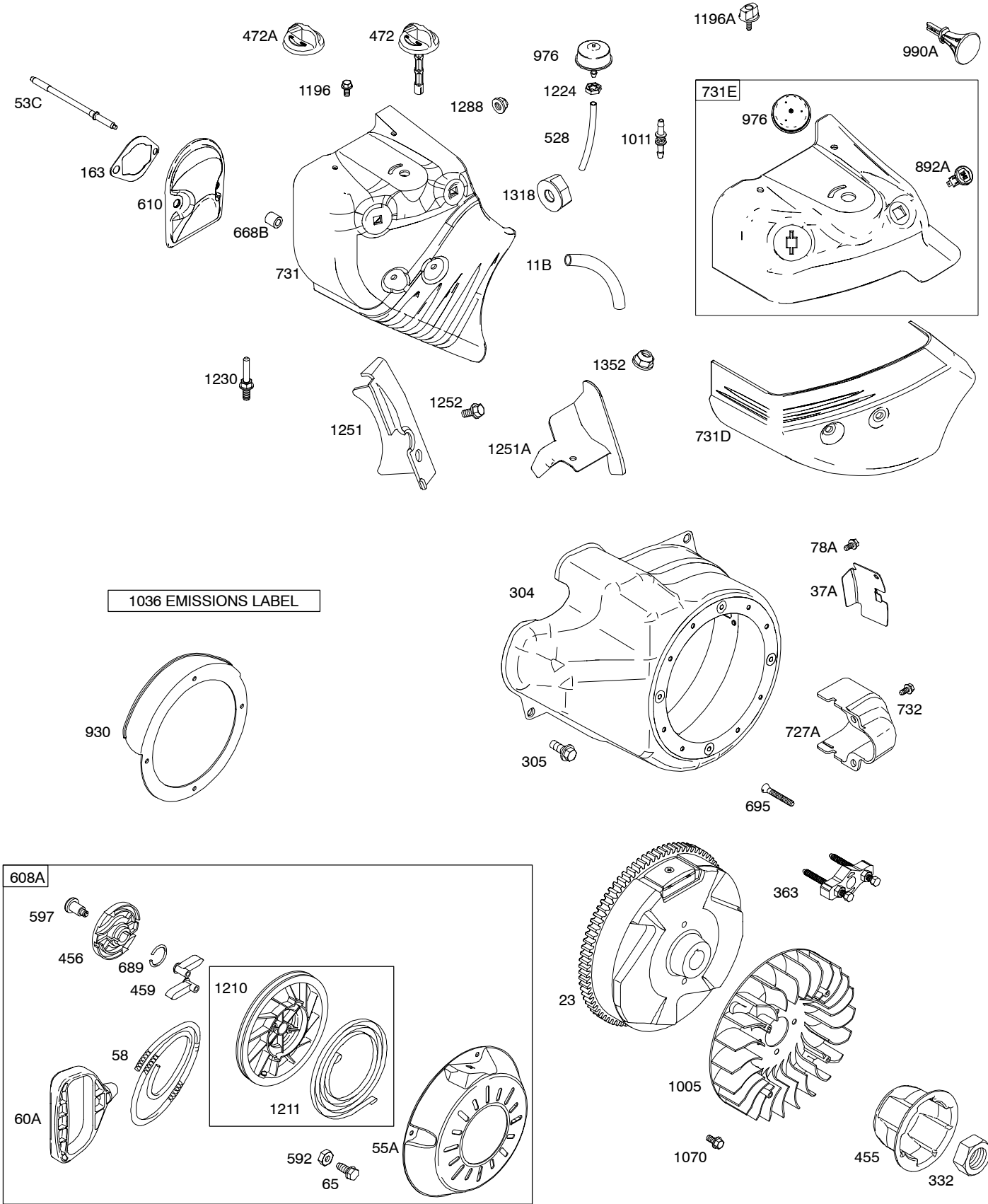


Illustrations cover a range of engines. Parts shown without corresponding text may not be used on your specific engine.

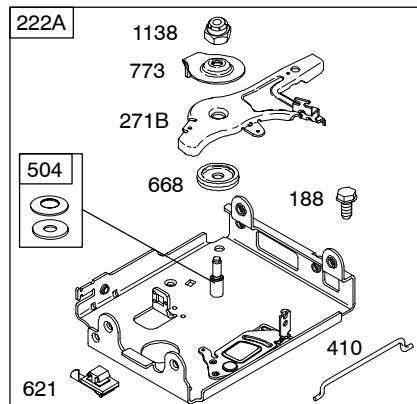
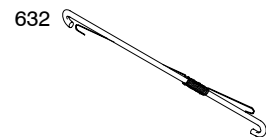
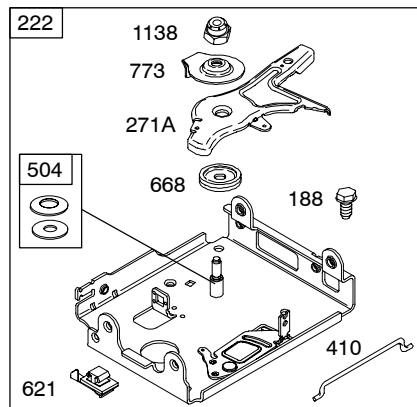
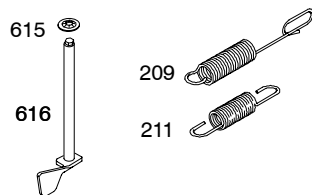
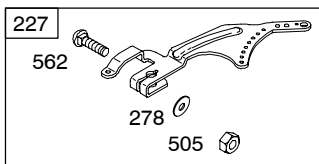
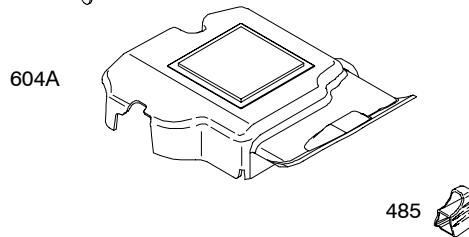
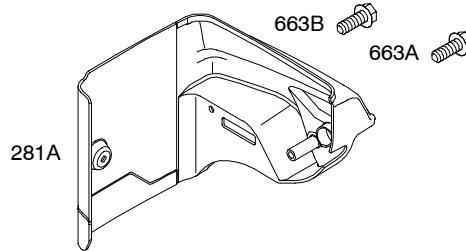
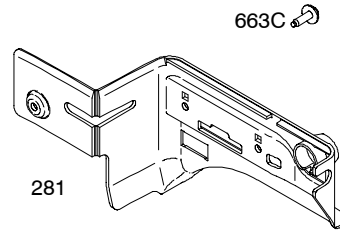
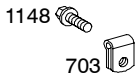
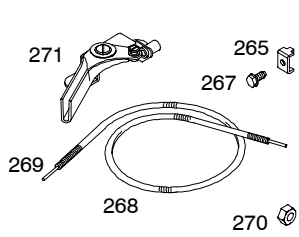


Illustrations cover a range of engines. Parts shown without corresponding text may not be used on your specific engine.
 5317-5 Assemblies include all parts shown in frames.

21A400

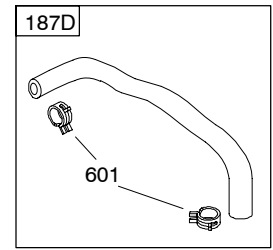
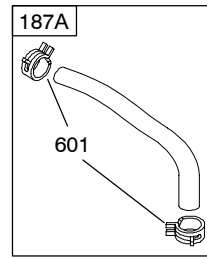
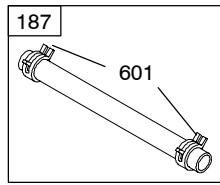
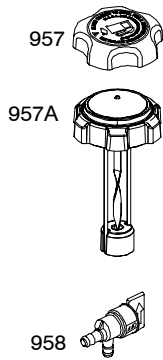
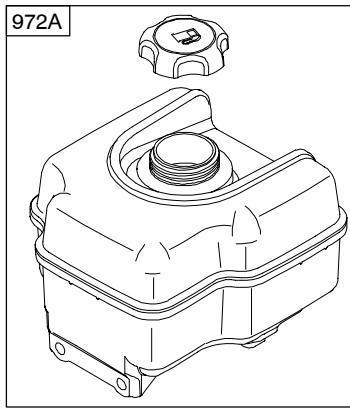


Illustrations cover a range of engines. Parts shown without corresponding text may not be used on your specific engine.
5317-6 Assemblies include all parts shown in frames. 01/09/2008

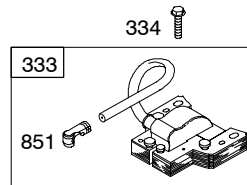
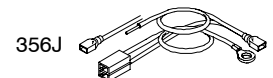
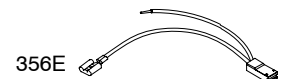
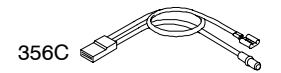
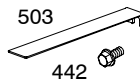
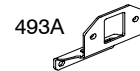
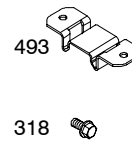
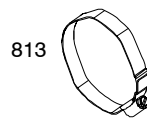
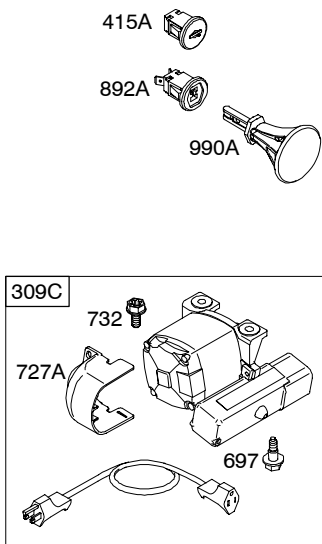
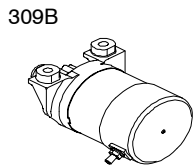
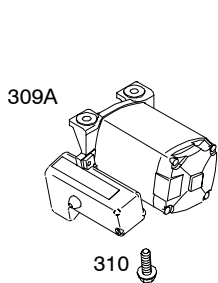


Illustrations cover a range of engines. Parts shown without corresponding text may not be used on your specific engine.
5317-7 Assemblies include all parts shown in frames.

21A400



DC ONLY	DUAL CIRCUIT	5 - 9 AMP	10 - 16 AMP	20 AMP	DUAL CIRCUIT
474A	474B	474C	474D	474E	474H
<p>NOTE: All stators use a No. 1119 mounting screw. </p> <p>NOTE: The proper flywheel part number and/or the alternator magnet size will determine the alternator type or output. See repair instruction manual for additional information.</p>					
526 501	526C 501C	578	878		



Illustrations cover a range of engines. Parts shown without corresponding text may not be used on your specific engine.
 5317-8 Assemblies include all parts shown in frames.

01/09/2008

REF. NO.	PART NO.	DESCRIPTION	REF. NO.	PART NO.	DESCRIPTION	REF. NO.	PART NO.	DESCRIPTION
1	793617	Cylinder Assembly	21	281658S	Cap–Oil Fill	26	793319	Ring Set
2	698340	Kit–Bushing/Seal (Magneto Side)	22	695174	Screw (Crankcase Cover/ Sump)			(Standard) (Used After Code Date 06061800).
3	★391086S	Seal–Oil (Magneto Side)	23	695485	Flywheel Used on Type No(s). 0017, 0019, 0100, 0105, 0111, 0112, 0113, 0115, 0117, 0119, 0133, 0134, 0135, 0136, 0163, 0164, 0166, 0168, 0205, 0215, 0371, 0540, 0701.			----- Note ----- 697692 Ring Set (Standard) (Used Before Code Date 06061900).
5	793305	Head–Cylinder						697697 Ring Set (.010" Oversize) (Used Before Code Date 06061900).
7	★Δ697690	Gasket–Cylinder Head						793324 Ring Set (.020" Oversize) (Used After Code Date 06061800).
11B	696750	Tube–Breather						697698 Ring Set (.020" Oversize) (Used Before Code Date 06061900).
12	★694953	Gasket–Crankcase						697699 Ring Set (.030" Oversize) (Used Before Code Date 06061900).
13	690360	Screw (Cylinder Head)	24	222698S	Key–Flywheel	27	690975	Lock–Piston Pin
15	691686	Plug–Oil Drain (Square Head)	25	793794	Piston Assembly (Standard) (Used After Code Date 06102900).	28	696581	Pin–Piston
15B	695757	Plug–Oil Drain				29	694691	Rod–Connecting
16	794716	Crankshaft Used on Type No(s). 0019, 0100, 0105. ----- Note ----- 794720 Crankshaft Used on Type No(s). 0017, 0112, 0113, 0115, 0117, 0119, 0133, 0134, 0135, 0136, 0163, 0164, 0166, 0168, 0205, 0215, 0371, 0540, 0701. 794717 Crankshaft Used on Type No(s). 0111, 0116.				30	694692	Dipper–Connecting Rod
17	695434	Bearing–Ball				32	690976	Screw (Connecting Rod)
18	791412	Cover–Crankcase Used on Type No(s). 0111, 0116. ----- Note ----- 791965 Cover– Crankcase Used on Type No(s). 0017, 0019, 0100, 0105, 0112, 0113, 0115, 0117, 0119, 0133, 0134, 0135, 0136, 0163, 0164, 0166, 0168, 0205, 0215, 0371, 0540, 0701.				33	499596	Valve–Exhaust
19	698340	Kit–Bushing/Seal (PTO Side)				34	795199	Valve–Intake
20	★391086S	Seal–Oil (PTO Side)				35	694865	Spring–Valve (Intake)
						36	694865	Spring–Valve (Exhaust)
						37A	699047	Guard–Flywheel
						42	499586	Keeper–Valve
						45	690977	Tappet–Valve
						46	790958	Camshaft
						51	★Δ694874	Gasket–Intake
						51A	★Δ694875	Gasket–Intake
						53C	794542	Stud (Carburetor)
						55A	696710	Housing–Rewind Starter
						58	693389	Rope–Starter Cut to Required Length)

★ Included in Engine Gasket Set–Ref. No. 358.

● Included in Carburetor Overhaul Kit–Ref. No. 121A.

Δ Included in Valve Gasket Set–Ref. No. 1095.

Illustrations cover a range of engines. Parts shown without corresponding text may not be used on your specific engine.

21A400

REF. NO.	PART NO.	DESCRIPTION	REF. NO.	PART NO.	DESCRIPTION	REF. NO.	PART NO.	DESCRIPTION
60A	699334	Grip–Starter Rope	188	690877	Screw (Control Bracket)	281	697268	Panel–Control
65	697725	Screw (Rewind Starter)	190	692127	Screw (Fuel Tank)	281A	697400	Panel–Control (Used After Code Date 01102800).
78A	695724	Screw (Flywheel Guard)	192	690083	Adjuster–Rocker Arm			----- Note -----
95A	690718	Screw (Throttle Valve)	209	694867	Spring–Governor			696703 Panel–Control (Used Before Code Date 01102900).
97A	696387	Shaft–Throttle	211	695307	Spring–Governor Idle			698081 Panel–Control Used on Type No(s). 0134, 0163, 0164, 0205, 0371, 0701.
98A	695408	Kit–Idle Speed	219	693578	Gear–Governor			
104A	694918	Pin–Float Hinge	220	691724	Washer (Governor Gear)			
105A	696136	Valve–Float Needle	222	698161	Bracket–Control Used on Type No(s). 0111, 0116.			
108C	696736	Valve–Choke	222A	698034	Bracket–Control Used on Type No(s). 0017, 0019, 0100, 0105, 0112, 0113, 0115, 0117, 0119, 0133, 0134, 0135, 0136, 0163, 0164, 0166, 0168, 0205, 0215, 0371, 0540, 0701.	287	691693	Screw (Dipstick/Tube)
109E	696735	Shaft–Choke				300A	794694	Muffler Used on Type No(s). 0019, 0100, 0134.
109F	793162	Shaft–Choke				300B	794695	Muffler ----- Note ----- 794695 Muffler (Used After Code Date 03033000). Used on Type No(s). 0111.
117	696134	Jet–Main (Standard)						794695 Muffler (Used After Code Date 03041300). Used on Type No(s). 0112, 0113, 0163, 0164, 0205.
118	696135	Jet–Main (High Altitude)	227	694864	Lever–Governor Control			698160 Muffler (Used Before Code Date 03033100). Used on Type No(s). 0111.
121A	696146	Kit–Carburetor Overhaul (Nikki Carburetor)	265	691024	Clamp–Casing Used on Type No(s). 0111, 0116.			698160 Muffler (Used Before Code Date 03041400). Used on Type No(s). 0112, 0113, 0163, 0164, 0205.
122	694876	Spacer–Carburetor						
125B	794593	Carburetor	267	692577	Screw (Casing Clamp)			
127A	690727	Plug–Welch	268	691025	Casing–Control Wire (Cut to Required Length)			
130A	696139	Valve–Throttle	269	691026	Wire–Control (Cut to Required Length)			
133A	694914	Float–Carburetor	270	691027	Nut (Control Wire Casing)			
135	696142	Tube–Fuel Transfer	271	691028	Lever–Control			
137A	695426	Gasket–Float Bowl	271A	695381	Lever–Control Used on Type No(s). 0111, 0116.	300C	793701	Muffler (This muffler is intended for replace- ment purposes only and is not to be used for retrofitting to engines with different exhaust systems)
146	690979	Key–Timing	271B	698035	Lever–Control			
163	692277	Gasket–Air Cleaner	278	792008	Washer (Governor Control Lever)			
170	695296	Stud (Crankcase Cover/ Sump)						
187	791766	Line–Fuel (15 Inches Long) (Cut To Required Length)						
187A	791869	Line–Fuel (Used After Code Date 05063000). ----- Note ----- 695429 Line–Fuel (Used Before Code Date 05070100).						
187D	791879	Line–Fuel (Used After Code Date 05063000). ----- Note ----- 698080 Line–Fuel (Used Before Code Date 05070100).						

★ Included in Engine Gasket Set–Ref. No. 358.

● Included in Carburetor Overhaul Kit–Ref. No. 121A.

△ Included in Valve Gasket Set–Ref. No. 1095.

Illustrations cover a range of engines. Parts shown without corresponding text may not be used on your specific engine.

REF. NO.	PART NO.	DESCRIPTION	REF. NO.	PART NO.	DESCRIPTION	REF. NO.	PART NO.	DESCRIPTION
304	791478	Housing-Blower ----- Note ----- 699339 Housing-Blower Used on Type No(s). 0111, 0116.	337	491055S	Plug-Spark Used on Type No(s). 0017, 0019, 0100, 0111, 0112, 0115, 0116, 0134, 0163, 0164, 0205, 0371, 0540.	442	790282	Screw (Starter Strap)
305	691108	Screw (Blower Housing)				455	697226	Cup-Flywheel
306	697240	Shield-Cylinder (Used After Code Date 01102800).				456	692299	Plate-Pawl Friction
306A	694677	Shield-Cylinder (Used Before Code Date 01102900).				459	281505S	Pawl-Ratchet
307	691660	Screw (Cylinder Shield)				472	696752	Knob-Choke Shaft
309A	793524	Motor-Starter Used on Type No(s). 0017, 0134, 0205, 0540. ----- Note ----- 792157 Motor-Starter Used on Type No(s). 0133, 0135, 0136, 0163, 0164, 0166, 0168, 0215, 0371, 0701.	355	691075	Washer (Muffler Bracket)	472A	791958	Knob-Choke Shaft
			356C	698165	Wire Stop	474A	695730	Alternator (DC Only) Used on Type No(s). 0134, 0163, 0164. ----- Note ----- 791743 Alternator Used on Type No(s). 0136, 0540, 0701.
			356E	699340	Wire-Stop	474B	696742	Alternator (Dual Circuit) Used on Type No(s). 0019.
			356G	696748	Wire-Stop	474C	698314	Alternator (Dual Circuit) Used on Type No(s). 0112, 0113, 0115, 0117, 0119, 0133, 0135, 0166, 0168, 0215.
			356J	793206	Wire-Stop			
			358	795201	Gasket Set-Engine	474D	695466	Alternator (10Amp) Used on Type No(s). 0111.
			362	698041	Shield-Spark Plug (Used After Code Date 02051200). ----- Note ----- 696759 Shield-Spark Plug (Used Before Code Date 02051300).	474E	793658	Alternator (20 Amp) Used on Type No(s). 0116.
309B	698162	Motor-Starter Used on Type No(s). 0111, 0116.	363	19203	Puller-Flywheel	474H	698230	Alternator (Dual Circuit) Used on Type No(s). 0017, 0134, 0205, 0371.
309C	698311	Motor-Starter Used on Type No(s). 0112, 0115, 0117, 0119.	369	695422	Spring-Float Bowl	485	695755	Knob-Control
310	698113	Screw (Starter Motor)	383	19374S	Wrench-Spark Plug	493	691177	Bracket-Mounting
318	690372	Screw (Mounting Bracket)	410	695382	Link-Control	493A	699048	Bracket-Mounting Used on Type No(s). 0113.
332	694685	Nut (Flywheel)	415	691363	Plug Used on Type No(s). 0100, 0105.			
333	492341	Armature-Magneto	415A	699337	Plug Used on Type No(s). 0111, 0116.			
334	691061	Screw (Magneto Armature)	436C	792374	Manifold-Exhaust			
			437	696705	Screw (Exhaust Manifold)			

★ Included in Engine Gasket Set-Ref. No. 358.

● Included in Carburetor Overhaul Kit-Ref. No. 121A.

△ Included in Valve Gasket Set-Ref. No. 1095.

Illustrations cover a range of engines. Parts shown without corresponding text may not be used on your specific engine.

21A400

REF. NO.	PART NO.	DESCRIPTION	REF. NO.	PART NO.	DESCRIPTION	REF. NO.	PART NO.	DESCRIPTION
501	698315	Regulator Used on Type No(s). 0112, 0113, 0115, 0117, 0119, 0133, 0135, 0166, 0168, 0215.	601	791850	Clamp-Hose	703	698320	Clip
501C	793660	Regulator Used on Type No(s). 0116.	604A	696758	Cover-Control	718	690959	Pin-Locating (Cylinder)
503	698318	Strap-Starter	608A	699335	Starter-Rewind	718A	695178	Pin-Locating (Head)
504	695383	Washer Set-Friction	610	794541	Arrester-Intake	725	696756	Shield-Heat (Control Bracket)
505	691251	Nut (Governor Control Lever)	613	695312	Screw (Muffler)(3/4" Long) ----- Note -----	727A	697465	Cover-Starter Drive
523	695344	Dipstick	613B	696705	Screw (Muffler) (Torx Head)	731	794591	Hood-Snow
524	691876	Seal-Dipstick Tube	615	694676	Retainer-Governor Shaft	731D	794550	Hood-Snow
525	695343	Tube-Dipstick	616	694675	Crank-Governor	731E	793174	Hood-Snow
526	690297	Screw (Regulator) Used on Type No(s). 0112, 0113, 0115, 0117, 0119, 0133, 0135, 0166, 0168, 0215.	621	692310	Switch-Stop	732	691097	Screw (Starter Drive Cover)
526C	690326	Screw (Regulator) Used on Type No(s). 0116.	632	695917	Link-Throttle (Used With Nikki Carburetor)	740	710090	Nut (Muffler Bracket)
528	793006	Hose-Primer (Cut to Required Length)	633B	690998	Seal-Choke/Throttle Shaft	740A	793859	Nut (Muffler Bracket)
529	791822	Grommet	635	691909	Boot-Spark Plug	741	691288	Gear-Timing
552	694674	Bushing-Governor Crank	663A	696685	Screw (Control Panel)	742	692564	Retainer-E Ring
562	793216	Bolt (Governor Control Lever)	663B	696704	Screw (Control Panel)	746	694679	Gear-Idler
564	696692	Screw (Control Cover)	663C	790282	Screw (Control Panel)	773	694258	Retainer
578	692306	Wire Assembly	668	694257	Spacer (Control Bracket)	798	697890	Screw (Rocker Arm)
579	691029	Nut Used on Type No(s). 0111, 0116.	668B	794539	Spacer (Snow Hood)	812	696757	Nut (Rocker Cover)
597	691696	Screw (Pawl Friction Plate)	689	691855	Spring-Friction	813	690635	Clamp
			695	698807	Screw (Ring Gear)	819	690352	Screw (Muffler Bracket)
			697	698113	Screw (Starter Motor) Used on Type No(s). 0017, 0019, 0111, 0112, 0115, 0116, 0117, 0119, 0133, 0134, 0135, 0136, 0163, 0164, 0166, 0168, 0205, 0215, 0371, 0540, 0701.	832C	792380	Guard-Muffler
						836	691003	Screw (Muffler Guard) Used on Type No(s). 0017, 0105, 0111, 0112, 0113, 0116, 0133, 0135, 0136, 0163, 0164, 0166, 0168, 0205, 0215, 0371, 0540, 0701.
						836C	710023	Screw (Muffler Guard)

★ Included in Engine Gasket Set-Ref. No. 358.

● Included in Carburetor Overhaul Kit-Ref. No. 121A.

△ Included in Valve Gasket Set-Ref. No. 1095.

Illustrations cover a range of engines. Parts shown without corresponding text may not be used on your specific engine.

5317-12

Assemblies include all parts shown in frames.

01/09/2008

REF. NO.	PART NO.	DESCRIPTION	REF. NO.	PART NO.	DESCRIPTION	REF. NO.	PART NO.	DESCRIPTION
842	691031	Seal-O Ring (Dipstick Tube)	990A	695756	Key Set	1127A	695407	Screw (Float Bowl)
847	695342	Dipstick/Tube Assembly	998	696683	Pipe-Oil	1138	694255	Nut (Control Bracket)
851	692424	Terminal-Spark Plug	1005	694684	Fan-Flywheel	1148	698418	Screw (Clip)
863C	793700	Bracket-Muffler	1011	794544	Tube-Vent	1171	696754	Stud (Rocker Cover)
868	★△794086	Seal-Valve	1022	★△690971	Gasket-Rocker Cover (Used After Code Date 02051200).	1177	710090	Nut (Muffler)
878	398661	Harness-Alternator	1023A	698042	Cover-Rocker (Used Before Code Date 02051300).	1194	691876	Seal-O Ring (Plug)
883	★△698398	Gasket-Exhaust	1026	695177	Rod-Push	1196	699166	Screw (Snow Hood)
883C	710250	Gasket-Exhaust	1029	690972	Arm-Rocker	1196A	696692	Screw (Snow Hood) (Black)
892A	791944	Switch-Key	1036		Label-Emissions (Available From A Briggs & Stratton Authorized Dealer)	1210	498144	Pulley/Spring Assembly (Pulley)
914	693732	Screw (Rocker Cover)	1058	277104TRI	Manual-Operator's ----- Note ----- 277104WST Manual- Operator's Used on Type No(s). 0017, 0105, 0113, 0133, 0135, 0136, 0164, 0166, 0168, 0215. 277104EST Manual- Operator's Used on Type No(s). 0136, 0168.	1211	498144	Pulley/Spring Assembly (Spring)
930	696709	Guard-Rewind				1224	696824	Nut (Carburetor Primer)
957	792647	Cap-Fuel Tank (Plastic) Used on Type No(s). 0017, 0019, 0100, 0105, 0112, 0113, 0117, 0119, 0135, 0168, 0215.	1070	691058	Screw (Flywheel Fan)	1230	696747	Stud (Control Bracket)
957A	698109	Cap-Fuel Tank (Plastic) Used on Type No(s). 0111, 0116, 0133, 0134, 0136, 0163, 0164, 0166, 0205, 0371, 0540, 0701.	1095	795200	Gasket Set-Vaslve	1251	696762	Shield-Snow
958	698180	Valve-Fuel Shut Off (Plastic)	1100	791959	Pivot-Rocker Arm	1251A	790471	Shield-Snow
972A	694260	Tank-Fuel (Plastic)	1119	691183	Screw (Alternator)	1252	691108	Screw (Snow Shield)
975A	696138	Bowl-Float				1288	696757	Nut (Snow Hood)
976	793382	Primer-Carburetor (Used After Code Date 07042600). ----- Note ----- 790221 Primer- Carburetor (Used Before Code Date 07042700 and After Code Date 04061500). 695750 Primer- Carburetor (Used Before Code Date 04061600). 793382 Primer- Carburetor Used on Type No(s). 0119, 0136, 0166, 0168.				1318	698111	Knob-Snow Hood
						1319	794467	Label-Warning
						1351	790017	Stud (Cylinder Shield)
						1352	790026	Nut (Spark Plug Shield)

★ Included in Engine Gasket Set-Ref. No. 358.

● Included in Carburetor Overhaul Kit-Ref. No. 121A.

△ Included in Valve Gasket Set-Ref. No. 1095.

Illustrations cover a range of engines. Parts shown without corresponding text may not be used on your specific engine.