



Illustrated Parts List

Model Series

93300

TYPE NUMBERS
0002 through 1209.

TABLE OF CONTENTS

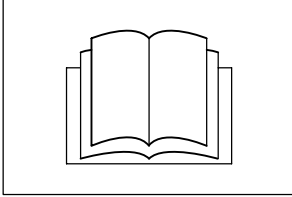
Air Cleaner	7
Blower Housing/Shrouds	8
Camshaft	2
Carburetor	5
Carburetor Overhaul Kit	5
Controls	6
Crankcase Cover/Sump	3
Crankshaft	2
Cylinder	2
Cylinder Head	2
Exhaust System	7
Flywheel	8
Fuel Supply	5
Gasket Set - Engine	3
Gasket Set - Valve	3
Gear Reduction	4
Governor Spring	6
Ignition	6
Operator's Manual	2
Piston/Rings/Connecting Rod	2
Rewind Starter	8
Warning Label	2

PRINTED IN U.S.A.

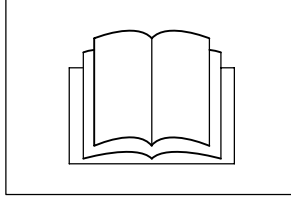


COPYRIGHT by BRIGGS & STRATTON CORPORATION
All rights reserved. No part of this material may be reproduced or transmitted,
in any form or by any means, electronic or mechanical, including photocopying,
recording or by any information storage and retrieval system, without permission
in writing from Briggs & Stratton Corporation.

1058 OPERATOR'S MANUAL



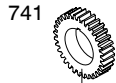
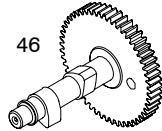
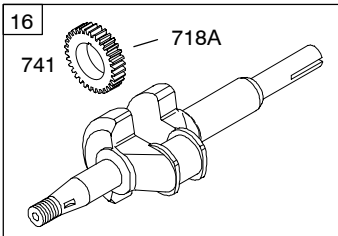
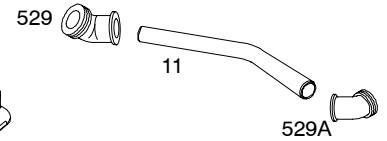
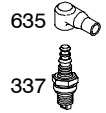
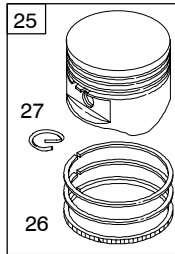
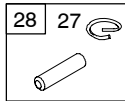
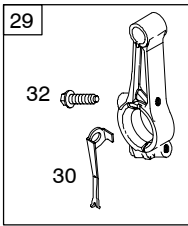
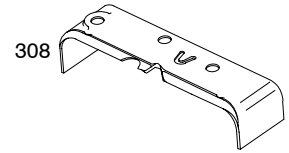
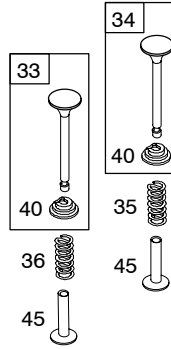
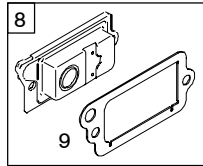
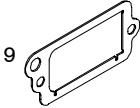
1330 REPAIR MANUAL



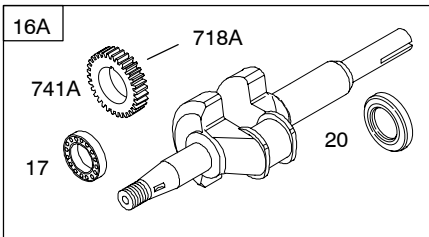
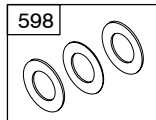
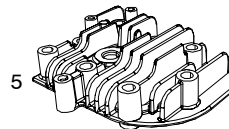
1319 WARNING LABEL

WARNING	
	Read and follow Operating Instructions before running engine.
	Gasoline is flammable. Allow engine to cool at least 2 minutes before refueling.
	Engines emit carbon monoxide, DO NOT run in enclosed area.
	Muffler area temperature may exceed 150°F. Do not touch hot parts.

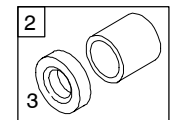
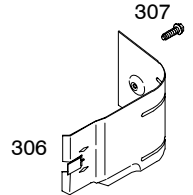
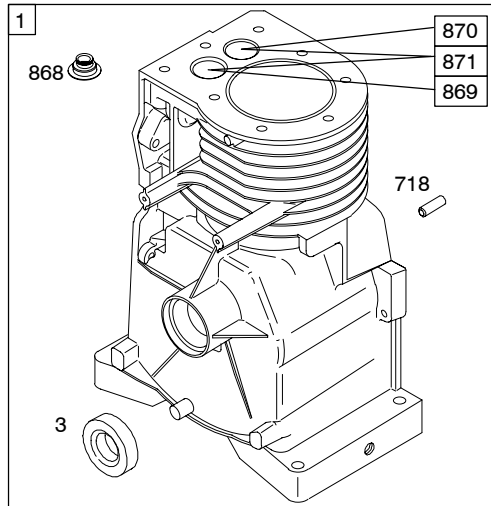
REQUIRED when replacing parts with warning labels affixed.



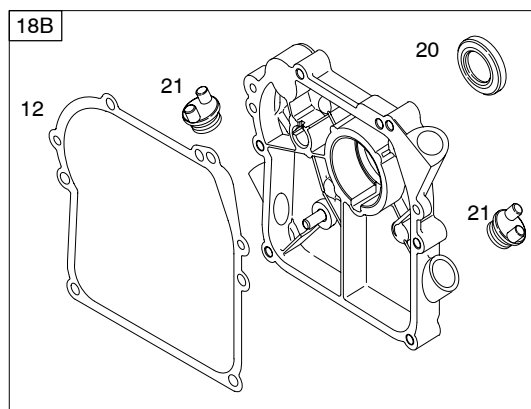
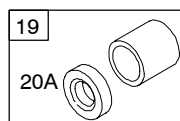
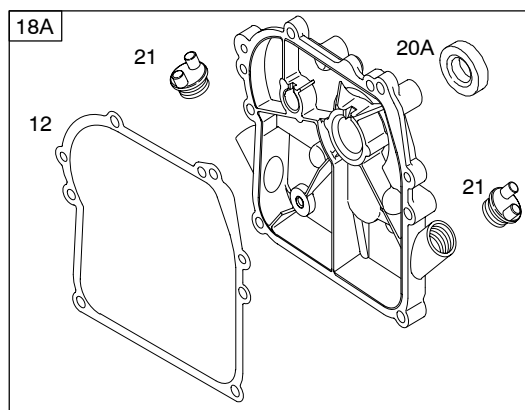
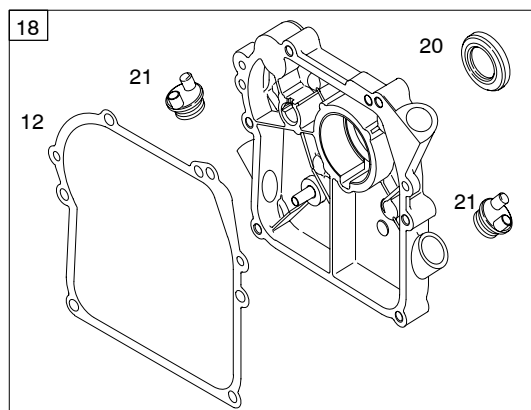
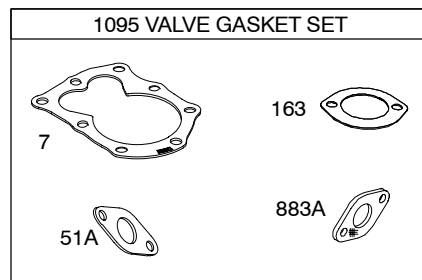
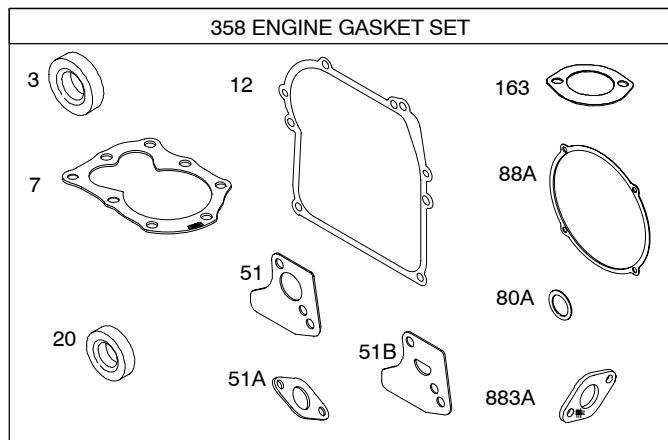
Timing Mark is an Oval

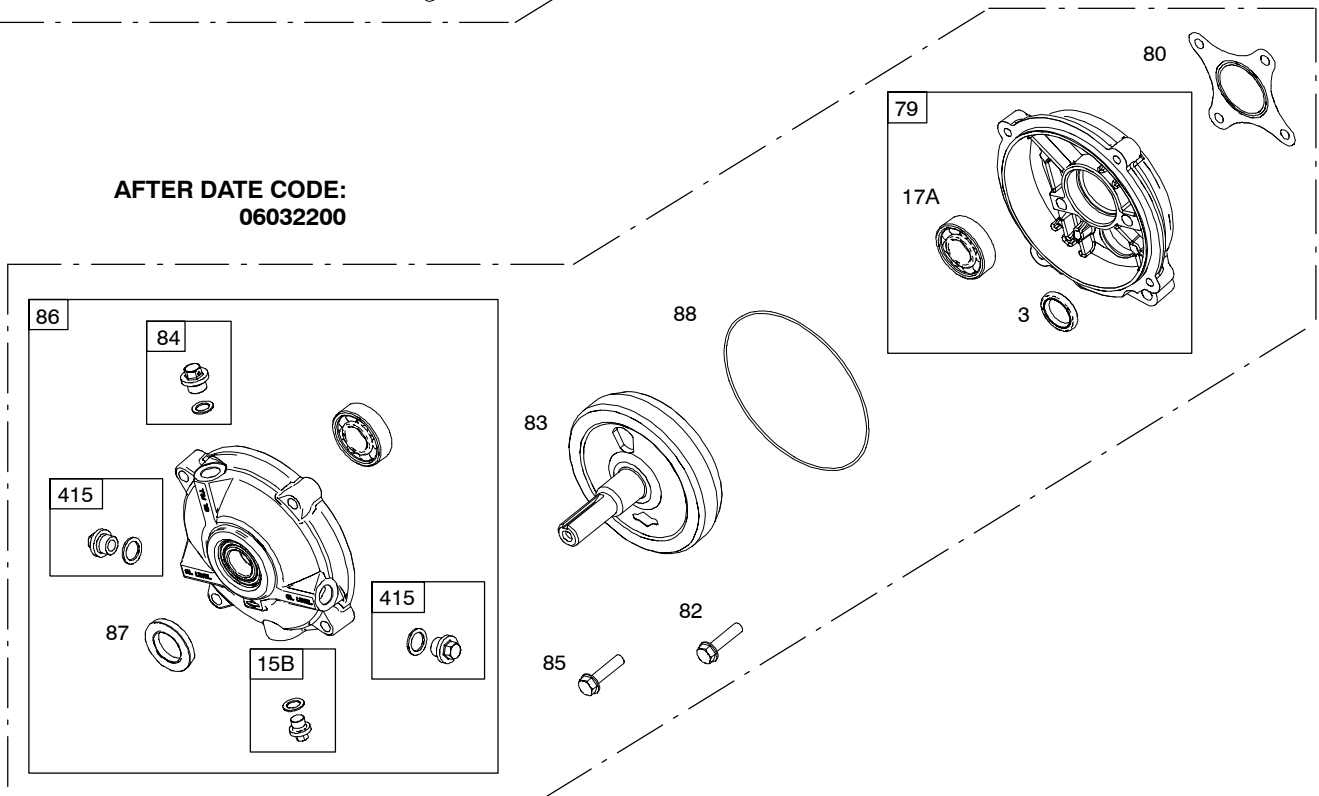
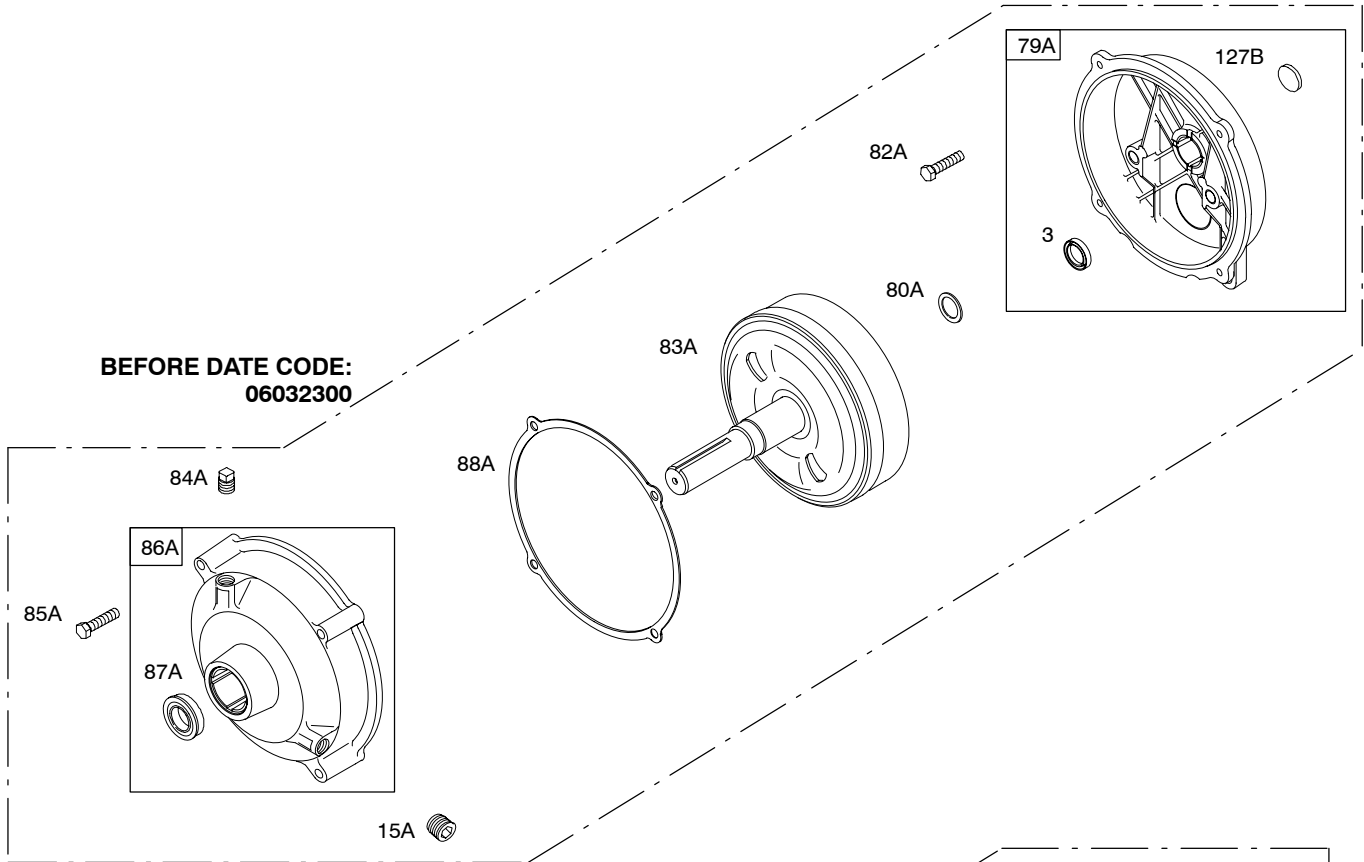


Timing Mark is a Circle

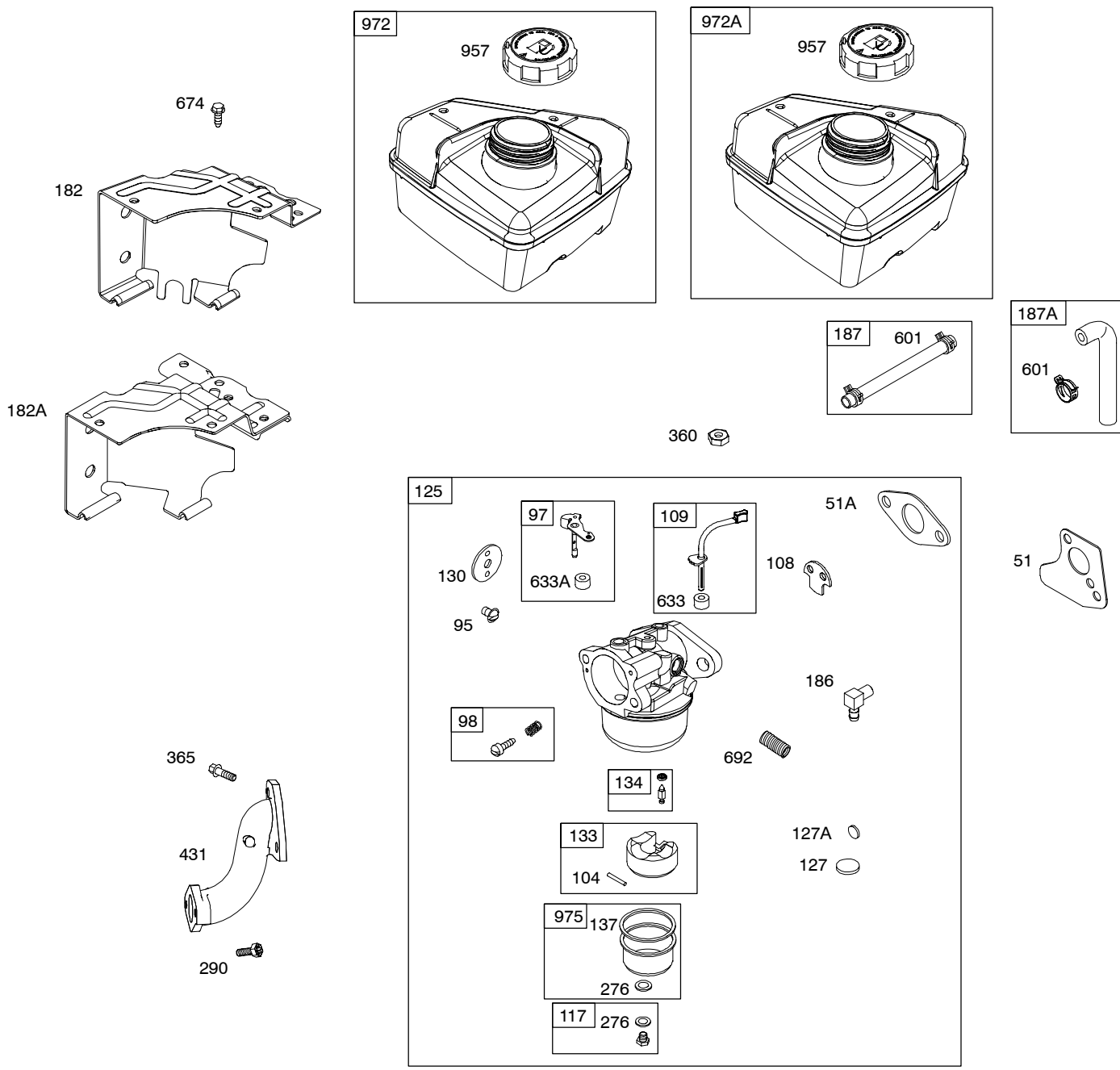


Illustrations cover a range of engines. Parts shown without corresponding text may not be used on your specific engine.
 5827-2 Assemblies include all parts shown in frames. 03/03/2008



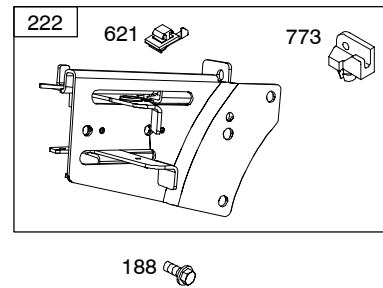
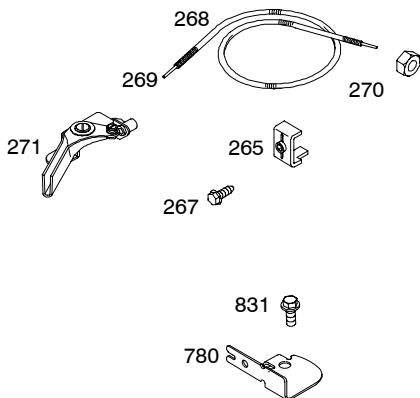
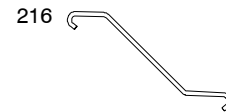
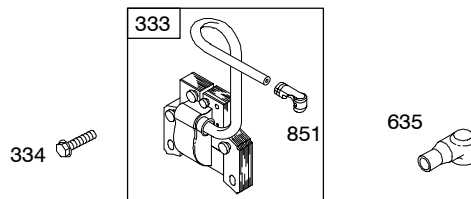
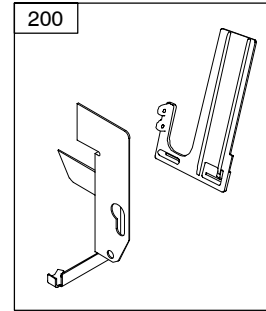
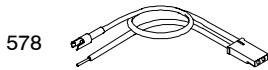
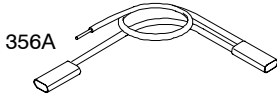


Illustrations cover a range of engines. Parts shown without corresponding text may not be used on your specific engine.
Assemblies include all parts shown in frames.

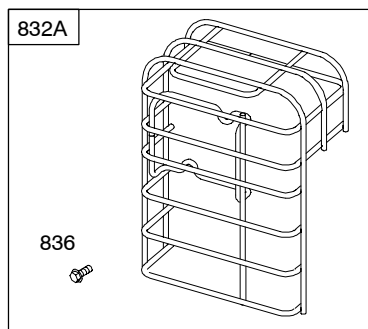
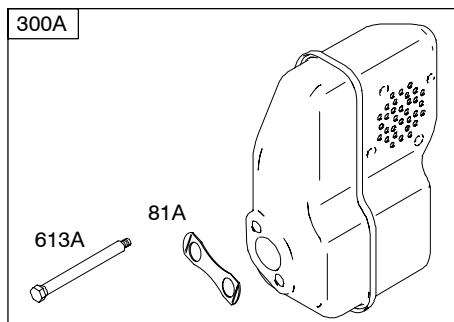
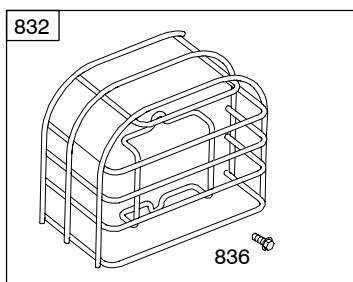
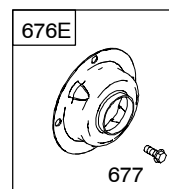
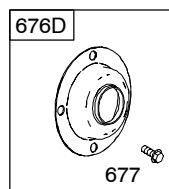
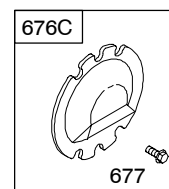
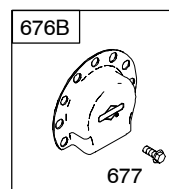
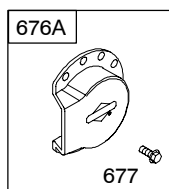
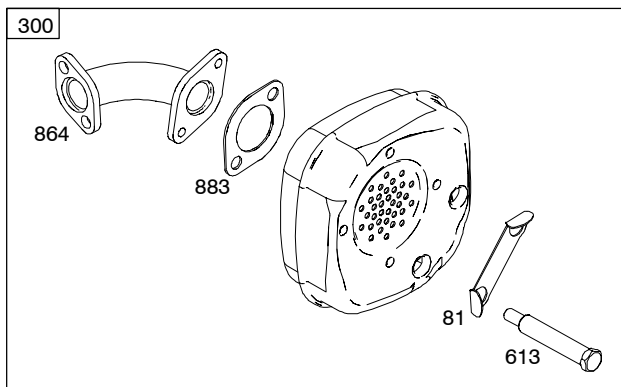
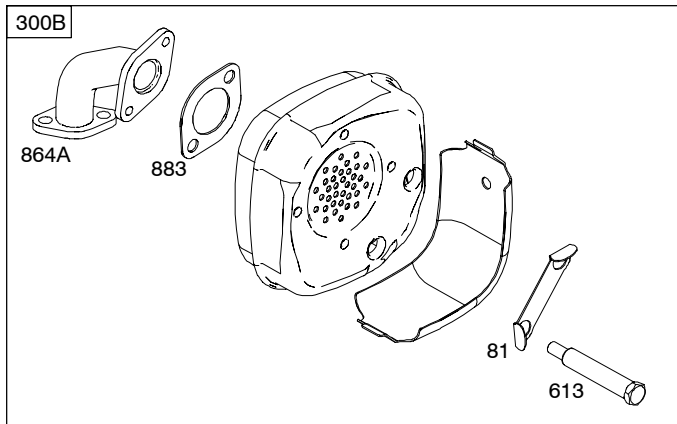
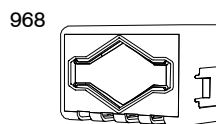
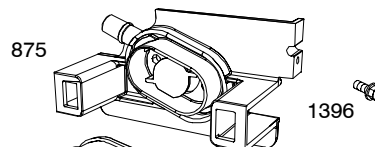
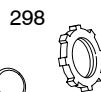


977 CARBURETOR GASKET SET		
137	276	633
	163	633A

121 CARBURETOR OVERHAUL KIT			
104	134	163	633
127			
127A	137	276	633A



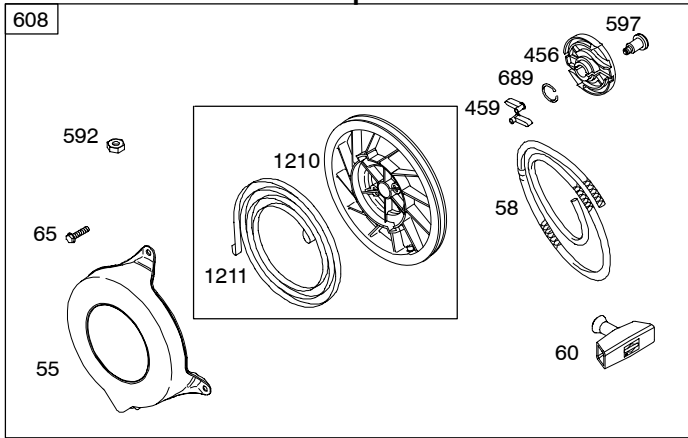
Illustrations cover a range of engines. Parts shown without corresponding text may not be used on your specific engine.
5827-6 Assemblies include all parts shown in frames.



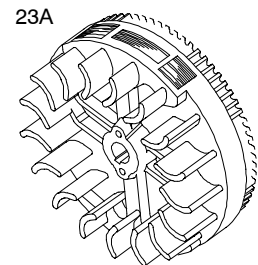
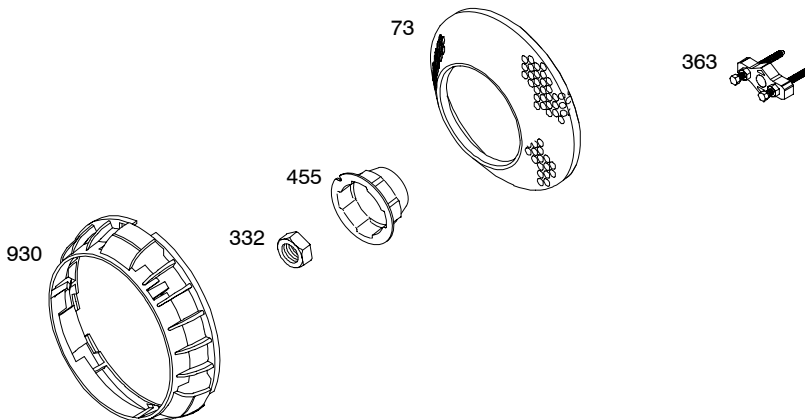
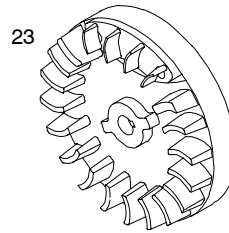
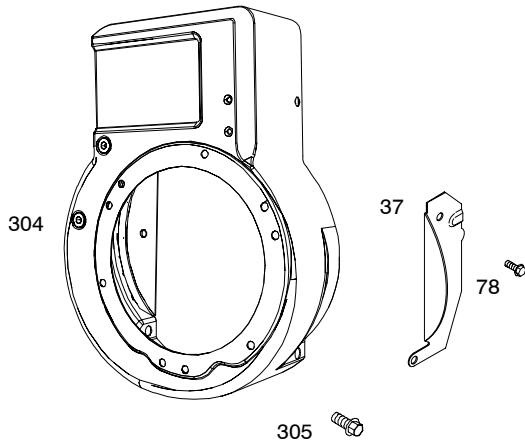
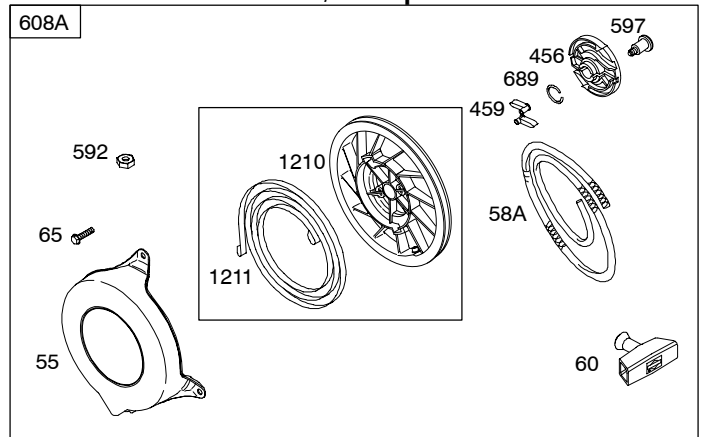
Illustrations cover a range of engines. Parts shown without corresponding text may not be used on your specific engine.
 5827-7 Assemblies include all parts shown in frames.

1036 EMISSIONS LABEL

70" Rope



88 5/8" Rope



Illustrations cover a range of engines. Parts shown without corresponding text may not be used on your specific engine.
 5827-8 Assemblies include all parts shown in frames. 03/03/2008

REF. NO.	PART NO.	DESCRIPTION	REF. NO.	PART NO.	DESCRIPTION	REF. NO.	PART NO.	DESCRIPTION
1	791358	Cylinder Assembly (Used After Code Date 07090300). ----- Note ----- 494549 Cylinder Assembly (Used Before Code Date 07090400).	9	695890	Gasket-Breather	14A	792660	Stud (Cylinder Head) (3 1/3" Long)
2	399269	Kit-Bushing/Seal (Magneto Side)	10	691666	Screw (Breather Assembly)	15	691686	Plug-Oil Drain
3	*299819S	Seal-Oil (Magneto Side)	11	790162	Tube-Breather	15A	691682	Plug-Oil Drain
5	790169	Head-Cylinder	12	*692218	Gasket-Crankcase (Standard) (.015" Thick) ----- Note ----- *270895 Gasket-Crankcase (.005" Thick)	15B	792750	Plug-Oil Drain (Gear Cover) (Used After Code Date 06032300). Used on Type No(s). 0123, 0130, 0139, 0151, 0549, 1049.
7	*Δ698717	Gasket-Cylinder Head			*270896 Gasket-Crankcase (.009" Thick)			----- Note ----- 792750 Plug-Oil Drain (Gear Cover) (1 1/3" Long)
8	791779	Breather Assembly (Used After Code Date 05102400). ----- Note ----- 699448 Breather Assembly (Used Before Code Date 05102500).	13	691640	Screw (Cylinder Head)			(Used After Code Date 06051600). Used on Type No(s). 0049, 0117.
			14	690361	Stud (Cylinder Head) (2 57/64" Long)			

★ Engine Gasket Set-Reference 358
● Carburetor Overhaul Kit-Reference 121

◆ Carburetor Gasket Set-Reference 977
Δ Valve Gasket Set-Reference 1095

Illustrations cover a range of engines. Parts shown without corresponding text may not be used on your specific engine.

93300

REF. NO.	PART NO.	DESCRIPTION	REF. NO.	PART NO.	DESCRIPTION	REF. NO.	PART NO.	DESCRIPTION		
16	793153	Crankshaft (Use Reference 741 Timing Gear) Used on Type No(s). 0002, 0017, 0100, 0115, 0119, 0121, 0142, 0155, 0190, 0205, 0212, 0213, 0215, 0502, 0517, 1002, 1017, 1100, 1115, 1142, 1155. ----- Note ----- 793152 Crankshaft (Use Reference 741 Timing Gear) Used on Type No(s). 0016, 0022, 0114, 0120, 0133, 0134, 0144, 0145, 0148, 0150, 0157, 0169, 0176, 0182, 0183, 0187, 0189, 0193, 0196, 0198, 0218, 0516, 0522, 1016, 1022, 1133, 1134, 1148, 1150, 1182, 1183, 1193. 793151 Crankshaft (Use Reference 741 Timing Gear) Used on Type No(s). 0110, 0113, 0177, 0178, 0188. 791422 Crankshaft (Use Reference 741 Timing Gear) (Used Before Code Date 06032400). Used on Type No(s). 0123, 0130, 0139, 0151. 791422 Crankshaft (Use Reference 741 Timing Gear) (Used Before Code Date 06051700). Used on Type No(s). 0049, 0117. 791422 Crankshaft (Use Reference 741 Timing Gear) Used on Type No(s). 1149.			792229 Crankshaft (Use Reference 741 Timing Gear) (Used After Code Date 05110800). Used on Type No(s). 0030, 0035, 0111, 0116, 0122, 0129, 0132, 0140, 0143, 0147, 0149, 0152, 0156, 0160, 0167, 0173, 0181, 0184, 0185, 0194, 0200, 0211, 0530, 0535, 1035, 1111, 1122, 1140, 1143, 1147, 1156, 1167, 1173, 1181, 1184, 1194, 1200, 1209. 792228 Crankshaft (Use Reference 741 Timing Gear) (Used After Code Date 05110800). Used on Type No(s). 0036, 0131, 0135, 0136, 0161, 0170, 0186, 0191, 0536, 1036, 1135. 792226 Crankshaft (Use Reference 741 Timing Gear) (Used After Code Date 05110800). Used on Type No(s). 0040, 0128, 0168, 0174, 0180, 0201, 0217, 0540, 1040. 792884 Crankshaft (Use Reference 741 Timing Gear) (Used After Code Date 06032300). Used on Type No(s). 0123, 0130, 0139, 0151, 0549, 1049. 792884 Crankshaft (Use Reference 741 Timing Gear) (Used After Code Date 06051600). Used on Type No(s). 0049, 0117.			16A	791417	Crankshaft (Ball Bearing) (Use Reference 741A Timing Gear) (Used Before Code Date 05110900). Used on Type No(s). 0040, 0128. ----- Note ----- 791418 Crankshaft (Ball Bearing) (Use Reference 741A Timing Gear) (Used Before Code Date 05110900). Used on Type No(s). 0036, 0131, 0135. 791421 Crankshaft (Ball Bearing) (Use Reference 741A Timing Gear) (Used Before Code Date 05110900). Used on Type No(s). 0030, 0035, 0111, 0116, 0122, 0129, 0132, 0140, 0143, 0147, 0149, 0152, 0167.

- ★ Engine Gasket Set Reference 358
- Carburetor Overhaul Kit-Reference 121

- ◆ Carburetor Gasket Set-Reference 977
- △ Valve Gasket Set-Reference 1095

Illustrations cover a range of engines. Parts shown without corresponding text may not be used on your specific engine.

REF. NO.	PART NO.	DESCRIPTION	REF. NO.	PART NO.	DESCRIPTION	REF. NO.	PART NO.	DESCRIPTION
17	690824	Bearing–Ball Used on Type No(s). 0030, 0035, 0036, 0040, 0111, 0116, 0122, 0128, 0129, 0131, 0132, 0135, 0136, 0140, 0143, 0147, 0149, 0152, 0156, 0160, 0161, 0167, 0168, 0170, 0173, 0174, 0180, 0181, 0184, 0185, 0186, 0191, 0194, 0200, 0201, 0211, 0217, 0530, 0535, 0536, 0540, 1035, 1036, 1040, 1111, 1122, 1135, 1140, 1143, 1147, 1156, 1167, 1173, 1181, 1184, 1194, 1200.	18A	699406	Cover–Crankcase Used on Type No(s). 0016, 0017, 0100, 0110, 0113, 0114, 0115, 0119, 0121, 0145, 0148, 0150, 0176, 0177, 0178, 0188, 0190, 0198, 0205, 0212, 0213, 0215, 0218, 0516, 0517, 1016, 1017, 1100, 1115, 1148, 1150, 1209. ----- Note ----- 496679 Cover– Crankcase Used on Type No(s). 0002, 0022, 0049, 0117, 0120, 0123, 0130, 0133, 0134, 0139, 0142, 0144, 0151, 0155, 0157, 0169, 0182, 0183, 0187, 0189, 0193, 0196, 0502, 0522, 0549, 1002, 1022, 1049, 1133, 1134, 1142, 1149, 1155, 1182, 1183, 1193.	18B	792232	Cover–Crankcase (Used After Code Date 05110800). Used on Type No(s). 0030, 0035, 0036, 0040, 0111, 0116, 0122, 0128, 0129, 0131, 0132, 0135, 0136, 0140, 0143, 0147, 0149, 0152, 0156, 0160, 0161, 0167, 0168, 0170, 0173, 0174, 0180, 0181, 0184, 0185, 0186, 0191, 0194, 0200, 0201, 0211, 0217, 0530, 0535, 0536, 0540, 1035, 1036, 1040, 1111, 1122, 1135, 1140, 1143, 1147, 1156, 1167, 1173, 1181, 1184, 1194, 1200.
17A	99158	Bearing–Ball (Gear Reduction Case) (Used After Code Date 06032300). Used on Type No(s). 0123, 0130, 0139, 0151, 0549, 1049. ----- Note ----- 99158 Bearing–Ball (Gear Reduction Case) (Used After Code Date 06051600). Used on Type No(s). 0049, 0117.				19	399269	Kit–Bushing/Seal (PTO Side)
18	497502	Cover–Crankcase (Used Before Code Date 05110900). Used on Type No(s). 0030, 0035, 0036, 0040, 0111, 0116, 0122, 0128, 0129, 0131, 0132, 0135, 0140, 0143, 0147, 0149, 0152, 0167.				20	692020	Seal–Oil (PTO Side)
						20A	★299819S	Seal–Oil (PTO Side)

★ Engine Gasket Set–Reference 358
● Carburetor Overhaul Kit–Reference 121

◆ Carburetor Gasket Set–Reference 977
△ Valve Gasket Set–Reference 1095

Illustrations cover a range of engines. Parts shown without corresponding text may not be used on your specific engine.
5827–11 Assemblies include all parts shown in frames. 03/03/2008

93300

REF. NO.	PART NO.	DESCRIPTION	REF. NO.	PART NO.	DESCRIPTION	REF. NO.	PART NO.	DESCRIPTION
21	281658S	Cap–Oil Fill	24	222698S	Key–Flywheel	26	795690	Ring Set (Standard) (Used After Code Date 08021200).
22	691129	Screw (Crankcase Cover/Sump) (1 1/4" Long)	25	795691	Piston Assembly (Standard) (Used After Code Date 08021200).			----- Note ----- 795132 Ring Set (Standard) (Used After Code Date 07072900 and Before Code Date 08021300).
		----- Note ----- 693732 Screw (Crankcase Cover/Sump) (7/8" Long) Used on Type No(s). 0002, 0022, 0049, 0117, 0120, 0123, 0130, 0133, 0134, 0139, 0142, 0144, 0151, 0155, 0157, 0169, 0182, 0183, 0187, 0189, 0193, 0196, 0502, 0522, 0549, 1002, 1022, 1049, 1133, 1134, 1142, 1149, 1155, 1182, 1183, 1193.			----- Note ----- 795131 Piston Assembly (Standard) (Used After Code Date 07072900 and Before Code Date 08021300). 790908 Piston Assembly (Standard) (Used Before Code Date 07073000). 795689 Piston Assembly (.020" Oversize) (Used After Code Date 08021200). 795133 Piston Assembly (.020" Oversize) (Used After Code Date 07072900 and Before Code Date 08021300). 792532 Piston Assembly (.020" Oversize) (Used Before Code Date 07073000 and After Code Date 05051800).			790909 Ring Set (Standard) (Used Before Code Date 07073000 and After Code Date 05051800). 695169 Ring Set (Standard) (Used Before Code Date 05051900). 795688 Ring Set (.020" Oversize) (Used After Code Date 08021200). 795134 Ring Set (.020" Oversize) (Used After Code Date 07072900 and Before Code Date 08021300). 792533 Ring Set (.020" Oversize) (Used Before Code Date 07073000 and After Code Date 05051800). 695172 Ring Set (.020" Oversize) (Used Before Code Date 05051900).
23	795695	Flywheel (Used After Code Date 08012900).						27 691588 Lock–Piston Pin
		----- Note ----- 690843 Flywheel (Used Before Code Date 08013000).						28 699659 Pin–Piston (Standard) (Used After Code Date 05051800).
23A	699573	Flywheel Used on Type No(s). 0110, 0113, 0114, 0134, 0155, 0156, 0176, 0177, 0178, 0188, 0201, 0205, 0218, 1134, 1155, 1156.						----- Note ----- 298909 Pin–Piston (Standard) (Used Before Code Date 05051900). 298908 Pin–Piston (.005" Oversize) (Used Before Code Date 05051900).
								29 699655 Rod–Connecting (Standard)

★ Engine Gasket Set Reference 358
● Carburetor Overhaul Kit–Reference 121

◆ Carburetor Gasket Set–Reference 977
△ Valve Gasket Set–Reference 1095

Illustrations cover a range of engines. Parts shown without corresponding text may not be used on your specific engine.

93300

REF. NO.	PART NO.	DESCRIPTION	REF. NO.	PART NO.	DESCRIPTION	REF. NO.	PART NO.	DESCRIPTION									
82	792753	Screw (Gear Reduction Case) (1 1/3" Long) (Used After Code Date 06032300). Used on Type No(s). 0123, 0130, 0139, 0151, 0549, 1049. ----- Note ----- 792753 Screw (Gear Reduction Case) (1 1/3" Long) (Used After Code Date 06051600). Used on Type No(s). 0049, 0117.	82A	690369	Screw (Gear Reduction Case) (7/8" Long) (Used Before Code Date 06032400). Used on Type No(s). 0123, 0130, 0139, 0151. ----- Note ----- 690369 Screw (Gear Reduction Case) (7/8" Long) (Used Before Code Date 06051700). Used on Type No(s). 0049, 0117. 690369 Screw (Gear Reduction Case) (7/8" Long) Used on Type No(s). 1149. 699164 Screw (Gear Reduction Case) (1 1/2" Long) (Used Before Code Date 06032400). Used on Type No(s). 0123, 0130, 0139, 0151. 699164 Screw (Gear Reduction Case) (1 1/2" Long) (Used Before Code Date 06051700). Used on Type No(s). 0049, 0117. 699164 Screw (Gear Reduction Case) (1 1/2" Long) Used on Type No(s). 1149.	83	792756	Shaft-Auxiliary Drive (Gear Reduction Case) (Used After Code Date 06032300). Used on Type No(s). 0123, 0130, 0139, 0151, 0549, 1049. ----- Note ----- 792756 Shaft-Auxiliary Drive (Gear Reduction Case) (Used After Code Date 06051600). Used on Type No(s). 0049, 0117.	83A	690374	Shaft-Auxiliary Drive (Used Before Code Date 06032400). Used on Type No(s). 0123, 0130, 0139, 0151. ----- Note ----- 690374 Shaft-Auxiliary Drive (Used Before Code Date 06051700). Used on Type No(s). 0049, 0117. 690374 Shaft-Auxiliary Drive Used on Type No(s). 1149.	84	792759	Plug-Breather (Used After Code Date 06032300). Used on Type No(s). 0123, 0130, 0139, 0151, 0549, 1049. ----- Note ----- 792759 Plug-Breather (Used After Code Date 06051600). Used on Type No(s). 0049, 0117.	84A	691121	Plug-Breather (Used Before Code Date 06032400). Used on Type No(s). 0123, 0130, 0139, 0151. ----- Note ----- 691121 Plug-Breather (Used Before Code Date 06051700). Used on Type No(s). 0049, 0117. 691121 Plug-Breather Used on Type No(s). 1149.

- ★ Engine Gasket Set Reference 358
- Carburetor Overhaul Kit-Reference 121

- ◆ Carburetor Gasket Set-Reference 977
- △ Valve Gasket Set-Reference 1095

Illustrations cover a range of engines. Parts shown without corresponding text may not be used on your specific engine.

REF. NO.	PART NO.	DESCRIPTION	REF. NO.	PART NO.	DESCRIPTION	REF. NO.	PART NO.	DESCRIPTION
85	690711	Screw (Gear Cover to Gear Reduction Case) (1 1/2" Long) (Used After Code Date 06032300). Used on Type No(s). 0123, 0130, 0139, 0151, 0549, 1049. ----- Note ----- 690711 Screw (Gear Cover to Gear Reduction Case) (1 1/2" Long) (Used After Code Date 06051600). Used on Type No(s). 0049, 0117.	86A	690608	Cover-Gear (Used Before Code Date 06032400). Used on Type No(s). 0123, 0130, 0139, 0151. ----- Note ----- 690608 Cover-Gear (Used Before Code Date 06051700). Used on Type No(s). 0049, 0117. 690608 Cover-Gear Used on Type No(s). 1149.	88	792760	Gasket-Gear Reduction Cover (Used After Code Date 06032300). Used on Type No(s). 0123, 0130, 0139, 0151, 0549, 1049. ----- Note ----- 792760 Gasket-Gear (Used After Code Date 06051600). Used on Type No(s). 0049, 0117.
85A	692551	Screw (Gear Cover to Gear Reduction Case) (1 3/16" Long) (Used Before Code Date 06032400). Used on Type No(s). 0123, 0130, 0139, 0151. ----- Note ----- 692551 Screw (Gear Cover to Gear Reduction Case) (Used Before Code Date 06051700). Used on Type No(s). 0049, 0117.	87	792752	Seal-Gear Reduction (Used After Code Date 06032300). Used on Type No(s). 0123, 0130, 0139, 0151, 0549, 1049. ----- Note ----- 792752 Seal-Gear Reduction (Used After Code Date 06051600). Used on Type No(s). 0049, 0117.	88A	★691600	Gasket-Gear Reduction Cover (Used Before Code Date 06032400). Used on Type No(s). 0123, 0130, 0139, 0151. ----- Note ----- ★691600 Gasket-Gear (Used Before Code Date 06051700). Used on Type No(s). 0049, 0117. ★691600 Gasket-Gear Used on Type No(s). 1149.
86	792748	Cover-Gear (Used After Code Date 06032300). Used on Type No(s). 0123, 0130, 0139, 0151, 0549, 1049. ----- Note ----- 792748 Cover-Gear (Used After Code Date 06051600). Used on Type No(s). 0049, 0117.	87A	691582	Seal-Gear Reduction (Used Before Code Date 06032300). Used on Type No(s). 0123, 0130, 0139, 0151. ----- Note ----- 691582 Seal-Gear Reduction (Used Before Code Date 06051700). Used on Type No(s). 0049, 0117. 691582 Seal-Gear Reduction Used on Type No(s). 1149.	95	691636	Screw (Throttle Valve)
						97	790270	Shaft-Throttle
						98	398185	Kit-Idle Speed
						104	●691242	Pin-Float Hinge
						108	692567	Valve-Choke
						109	790307	Shaft-Choke
						117	697355	Jet-Main (Standard)
						121	695157	Kit-Carburetor Overhaul
						125	795533	Carburetor

★ Engine Gasket Set-Reference 358
● Carburetor Overhaul Kit-Reference 121

◆ Carburetor Gasket Set-Reference 977
△ Valve Gasket Set-Reference 1095

Illustrations cover a range of engines. Parts shown without corresponding text may not be used on your specific engine.
5827-15 Assemblies include all parts shown in frames. 03/03/2008

93300

REF. NO.	PART NO.	DESCRIPTION	REF. NO.	PART NO.	DESCRIPTION	REF. NO.	PART NO.	DESCRIPTION		
127	●691739	Plug–Welch (5/16" Diameter)	186	692317	Connector–Hose			790309	Spring–Governor	
127A	●694468	Plug–Welch (3/8" Diameter)	187	791766	Line–Fuel (Cut To Required Length)				Used on Type No(s). 0036, 0040, 0116, 0128, 0131, 0132, 0135, 0136, 0152, 0160, 0161, 0170, 0185, 0186, 0191, 0201, 0205, 0211, 0536, 0540, 1036, 1040, 1135.	
127B	691585	Plug–Welch (Gear Reduction Case) (Used Before Code Date 06032400). Used on Type No(s). 0123, 0130, 0139, 0151.	187A	792662	Line–Fuel (Formed Hose)					
		----- Note ----- 691585 Cover–Gear (Used Before Code Date 06051700). Used on Type No(s). 0049, 0117. 691585 Cover–Gear Used on Type No(s). 1149.	188	691637	Screw (Control Bracket)					
			200	795470	Blade–Governor (Used After Code Date 07110400).					
130	691181	Valve–Throttle							795471 Spring–Governor Used on Type No(s). 0111, 0115, 0121, 0123, 0133, 0134, 0140, 0148, 0157, 0173, 0181, 0182, 0184, 0187, 0188, 0200, 1111, 1115, 1133, 1134, 1140, 1148, 1173, 1181, 1182, 1184, 1200.	
133	398187	Float–Carburetor	202	790168	Link–Mechanical Governor					
134	●398188	Kit–Needle/Seat	209	790355	Spring–Governor Used on Type No(s). 0002, 0016, 0017, 0035, 0049, 0100, 0119, 0129, 0130, 0139, 0147, 0150, 0151, 0174, 0180, 0194, 0212, 0215, 0217, 0502, 0516, 0517, 0535, 0549, 1002, 1016, 1017, 1035, 1049, 1100, 1147, 1149, 1150, 1194, 1209.					
137	●●693981	Gasket–Float Bowl						211	790308	Spring–Governed Idle
163	●●▲272948S	Gasket–Air Cleaner						216	790271	Link–Choke
170	691120	Stud (Crankcase Cover)						222	790164	Bracket–Control
182	790174	Bracket–Fuel Tank						265	691024	Clamp–Casing
182A	792663	Bracket–Fuel Tank Used on Type No(s). 0030, 0111, 0115, 0120, 0133, 0134, 0136, 0148, 0149, 0152, 0160, 0161, 0167, 0168, 0169, 0170, 0173, 0174, 0181, 0182, 0183, 0184, 0186, 0190, 0191, 0193, 0194, 0196, 0200, 0211, 0213, 0215, 0217, 0502, 0516, 0517, 0522, 0530, 0535, 0536, 0540, 0549, 1111, 1115, 1133, 1134, 1135, 1148, 1167, 1173, 1181, 1182, 1183, 1184, 1193, 1194, 1200.						267	692577	Screw (Casing Clamp)
		----- Note ----- 792663 Bracket–Fuel Tank (Used After Code Date 06082300). Used on Type No(s). 0135.						268	691025	Casing–Control Wire (Cut To Required Length)
								269	691026	Wire–Control (Cut To Required Length)
								270	691027	Nut (Control Wire Casing)
								271	691028	Lever–Control
								276	●●271716	Washer–Sealing (Carburetor)
								290	690953	Screw (Intake Elbow)
								298	691720	Locknut–Muffler/Elbow Used on Type No(s). 0136.

★ Engine Gasket Set Reference 358
● Carburetor Overhaul Kit–Reference 121

◆ Carburetor Gasket Set–Reference 977
▲ Valve Gasket Set–Reference 1095

Illustrations cover a range of engines. Parts shown without corresponding text may not be used on your specific engine.

REF. NO.	PART NO.	DESCRIPTION	REF. NO.	PART NO.	DESCRIPTION	REF. NO.	PART NO.	DESCRIPTION
300	790163	Muffler	337	802592S	Plug-Spark	601	791850	Clamp-Hose
300A	792661	Muffler			----- Note -----	608	690101	Starter-Rewind
		Used on Type No(s). 0030, 0111, 0115, 0120, 0133, 0134, 0148, 0149, 0152, 0160, 0161, 0167, 0168, 0169, 0170, 0173, 0174, 0181, 0182, 0183, 0184, 0186, 0190, 0191, 0193, 0194, 0196, 0200, 0211, 0213, 0215, 0217, 0502, 0516, 0517, 0522, 0530, 0535, 0536, 0540, 0549, 1111, 1115, 1133, 1134, 1135, 1148, 1167, 1173, 1181, 1182, 1183, 1184, 1193, 1194, 1200.			697451 Plug-Spark	608A	499706	Starter-Rewind
		----- Note -----	356	692390	Wire-Stop			(88 5/8" Rope)
		792661 Muffler	356A	792672	Wire-Stop			Used on Type No(s). 0111, 0122, 0140, 0148, 0157, 0167, 0187, 0200, 1111, 1122, 1140, 1148, 1167, 1200.
		(Used After Code Date 06082300).	357	692191	Key-Drive Pulley	613	691413	Screw
		Used on Type No(s). 0135.			Used on Type No(s). 0121, 0181, 0184, 0215, 1181, 1184.			(Muffler)
300B	792452	Muffler	358	496865	Gasket Set-Engine			(2 1/3" Long)
		Used on Type No(s). 0116, 0128, 0132, 0185.	360	691105	Nut	613A	691340	Screw
303	690291	Elbow-Exhaust			(Fuel Tank Bracket)			(Muffler)
		Used on Type No(s). 0136.	363	19069	Puller-Flywheel			(2 3/4" Long)
304	790165	Housing-Blower	365	699816	Screw			Used on Type No(s). 0030, 0111, 0115, 0120, 0133, 0134, 0148, 0149, 0152, 0160, 0161, 0167, 0168, 0169, 0170, 0173, 0174, 0181, 0182, 0183, 0184, 0186, 0190, 0191, 0193, 0194, 0196, 0200, 0211, 0213, 0215, 0217, 0502, 0516, 0517, 0522, 0530, 0535, 0536, 0540, 0549, 1111, 1115, 1133, 1134, 1135, 1148, 1167, 1173, 1181, 1182, 1183, 1184, 1193, 1194, 1200.
305	692198	Screw			(Carburetor)			----- Note -----
		(Blower Housing)	383	89838S	Wrench-Spark Plug			691340 Screw
306	690461	Shield-Cylinder	415	792749	Plug			(Muffler)
307	691660	Screw			(Gear Cover)			(2 3/4" Long)
		(Cylinder Shield)			(Used Before Code Date 06032400).			(Used After Code Date 06082300).
308	690462	Cover-Cylinder Head			Used on Type No(s). 0123, 0130, 0139, 0151.			Used on Type No(s). 0135.
332	690662	Nut			----- Note -----	621	692310	Switch-Stop
		(Flywheel)	431	790170	792749 Plug	629A	794216	Spring-Throttle Return
333	793281	Armature-Magneto			(Gear Cover)			Used on Type No(s). 0194, 1194.
		----- Note -----	445	790166	(Used Before Code Date 06051700).			633 ♦♦693867
		398428 Armature-			Used on Type No(s). 0049, 0017.			Seal-Choke/Throttle Shaft
		Magneto	455	691236	(Used Before Code Date 06032400).			(Choke)
		Used on Type No(s). 0136.	456	692299	Used on Type No(s). 0123, 0130, 0139, 0151.			
334	691061	Screw	459	281505S	----- Note -----			
		(Magneto Armature)	529	692189	792749 Plug			
					(Gear Cover)			
			529A	692187	(Used Before Code Date 06051700).			
					Used on Type No(s). 0049, 0017.			
			578	696031	----- Note -----			
					792749 Plug			
			592	690800	(Gear Cover)			
					(Used Before Code Date 06032400).			
			597	691696	Used on Type No(s). 0123, 0130, 0139, 0151.			
					----- Note -----			
			598	791387	792749 Plug			
					(Gear Cover)			
					(Used Before Code Date 06051700).			
					Used on Type No(s). 0049, 0017.			
					----- Note -----			
					792749 Plug			
					(Gear Cover)			
					(Used Before Code Date 06032400).			
					Used on Type No(s). 0123, 0130, 0139, 0151.			
					----- Note -----			
					792749 Plug			
					(Gear Cover)			
					(Used Before Code Date 06051700).			
					Used on Type No(s). 0049, 0017.			
					----- Note -----			
					792749 Plug			
					(Gear Cover)			
					(Used Before Code Date 06032400).			
					Used on Type No(s). 0123, 0130, 0139, 0151.			
					----- Note -----			
					792749 Plug			
					(Gear Cover)			
					(Used Before Code Date 06051700).			
					Used on Type No(s). 0049, 0017.			
					----- Note -----			
					792749 Plug			
					(Gear Cover)			
					(Used Before Code Date 06032400).			
					Used on Type No(s). 0123, 0130, 0139, 0151.			
					----- Note -----			
					792749 Plug			
					(Gear Cover)			
					(Used Before Code Date 06051700).			
					Used on Type No(s). 0049, 0017.			
					----- Note -----			
					792749 Plug			
					(Gear Cover)			
					(Used Before Code Date 06032400).			
					Used on Type No(s). 0123, 0130, 0139, 0151.			
					----- Note -----			
					792749 Plug			
					(Gear Cover)			
					(Used Before Code Date 06051700).			
					Used on Type No(s). 0049, 0017.			
					----- Note -----			
					792749 Plug			
					(Gear Cover)			
					(Used Before Code Date 06032400).			
					Used on Type No(s). 0123, 0130, 0139, 0151.			
					----- Note -----			
					792749 Plug			
					(Gear Cover)			
					(Used Before Code Date 06051700).			
					Used on Type No(s). 0049, 0017.			
					----- Note -----			
					792749 Plug			
					(Gear Cover)			
					(Used Before Code Date 06032400).			
					Used on Type No(s). 0123, 0130, 0139, 0151.			
					----- Note -----			
					792749 Plug			
					(Gear Cover)			
					(Used Before Code Date 06051700).			
					Used on Type No(s). 0049, 0017.			
					----- Note -----			
					792749 Plug			
					(Gear Cover)			
					(Used Before Code Date 06032400).			
					Used on Type No(s). 0123, 0130, 0139, 0151.			
					----- Note -----			
					792749 Plug			
					(Gear Cover)			
					(Used Before Code Date 06051700).			
					Used on Type No(s). 0049, 0017.			
					----- Note -----			
					792749 Plug			
					(Gear Cover)			
					(Used Before Code Date 06032400).			
					Used on Type No(s). 0123, 0130, 0139, 0151.			
					----- Note -----			
					792749 Plug			
					(Gear Cover)			
					(Used Before Code Date 06051700).			
					Used on Type No(s). 0049, 0017.			
					----- Note -----			
					792749 Plug			
					(Gear Cover)			
					(Used Before Code Date 06032400).			
					Used on Type No(s). 0123, 0130, 0139, 0151.			
					----- Note -----			
					792749 Plug			
					(Gear Cover)			
					(Used Before Code Date 06051700).			
					Used on Type No(s). 0049, 0017.			
					----- Note -----			
					792749 Plug			
					(Gear Cover)			
					(Used Before Code Date 06032400).			
					Used on Type No(s). 0123, 0130, 0139, 0151.			
					----- Note -----			
					792749 Plug			
					(Gear Cover)			
					(Used Before Code Date 06051700).			
					Used on Type No(s). 0049, 0017.			
					----- Note -----			
					792749 Plug			
					(Gear Cover)			
					(Used Before Code Date 06032400).			
					Used on Type No(s). 0123, 0130, 0139, 0151.			
					----- Note -----			
					792749 Plug			
					(Gear Cover)			
					(Used Before Code Date 06051700).			
					Used on Type No(s). 0049, 0017.			
					----- Note -----			
					792749 Plug			
					(Gear Cover)			
					(Used Before Code Date 06032400).			
					Used on Type No(s). 0123, 0130, 0139, 0151.			
					----- Note -----			
					792749 Plug			
					(Gear Cover)			
					(Used Before Code Date 06051700).			
					Used on Type No(s). 0049, 0017.			
					----- Note -----			
					792749 Plug			
					(Gear Cover)			
					(Used Before Code Date 06032400).			
					Used on Type No(s). 0123, 0130, 0139, 0151.			

93300

REF. NO.	PART NO.	DESCRIPTION	REF. NO.	PART NO.	DESCRIPTION	REF. NO.	PART NO.	DESCRIPTION
633A	691321	Seal-Choke/Throttle Shaft (Throttle)	676B	393760	Deflector-Muffler Used on Type No(s). 0030, 0111, 0115, 0133, 0134, 0148, 0149, 0152, 0167, 0168, 0169, 0170, 0174, 0181, 0182, 0183, 0184, 0186, 0190, 0191, 0193, 0194, 0200, 0211, 0213, 0217, 0502, 0516, 0517, 0522, 0530, 0535, 0536, 0540, 0549, 1111, 1115, 1133, 1134, 1135, 1148, 1167, 1181, 1182, 1183, 1184, 1193, 1194, 1200.	773	697325	Retainer
635	66538S	Boot-Spark Plug				780	691211	Anchor-Spring
674	690708	Screw (Fuel Tank Bracket) (Bracket to Tank)				823	699554	Screw (Muffler Adapter)
676A	393757	Deflector-Muffler Used on Type No(s). 0002, 0016, 0017, 0022, 0035, 0036, 0040, 0049, 0100, 0122, 0128, 0130, 0135, 0144, 0147, 0150, 0180, 0188B1, 0189, 1002, 1016, 1017, 1022, 1035, 1036, 1040, 1049, 1100, 1122, 1147, 1149, 1150, 1209.				831	691099	Screw (Spring Anchor)
		----- Note ----- 494423 Deflector-Muffler Used on Type No(s). 0110, 0113, 0114, 0117, 0119, 0123, 0129, 0131, 0132, 0139, 0140, 0142, 0143, 0145, 0151, 0155, 0156, 0157, 0177, 0178, 0187, 0198, 0201, 0212, 1140, 1142, 1143, 1155, 1156.				832	791267	Guard-Muffler Used on Type No(s). 0122, 0140, 0150, 1122, 1140, 1150, 1209.
						832A	792665	Guard-Muffler Used on Type No(s). 0111, 0115, 0133, 0134, 0148, 0152, 0167, 0173, 0181, 0182, 0183, 0184, 0193, 0194, 0200, 0215, 1111, 1115, 1133, 1134, 1135, 1148, 1167, 1173, 1181, 1182, 1183, 1184, 1193, 1194, 1200.
								----- Note ----- 792665 Guard-Muffler (Used After Code Date 06082300). Used on Type No(s). 0135.
			676C	393756	Deflector-Muffler Used on Type No(s). 0120, 0160, 0196.	836	690367	Screw (Muffler Guard)
			676D	397931	Deflector-Muffler Used on Type No(s). 0161, 0173, 0190, 0213, 1173.	851	493880S	Terminal-Spark Plug
			676E	395700	Deflector-Muffler Used on Type No(s). 0188E1.	864	791316	Adapter-Muffler
			677	690661	Screw (Muffler Deflector)	864A	791126	Adapter-Muffler Used on Type No(s). 0116, 0128, 0132, 0185.
			689	691855	Spring-Friction (Rewind Starter)	868	697338	Seal-Valve
			692	690572	Spring-Detent	869	691701	Seat-Valve (Intake)
			718	690959	Pin-Locating (Cylinder)	870	691702	Seat-Valve (Exhaust)
			718A	499047	Pin-Locating (Crankshaft)	871	262001	Bushing-Valve Guide (Exhaust)
			741	791124	Gear-Timing (Timing Mark is an Oval O)			----- Note ----- 63709 Bushing-Valve Guide (Intake)
			741A	691805	Gear-Timing (Timing Mark is a Circle O)			

★ Engine Gasket Set Reference 358
● Carburetor Overhaul Kit-Reference 121

◆ Carburetor Gasket Set-Reference 977
△ Valve Gasket Set-Reference 1095

Illustrations cover a range of engines. Parts shown without corresponding text may not be used on your specific engine.

